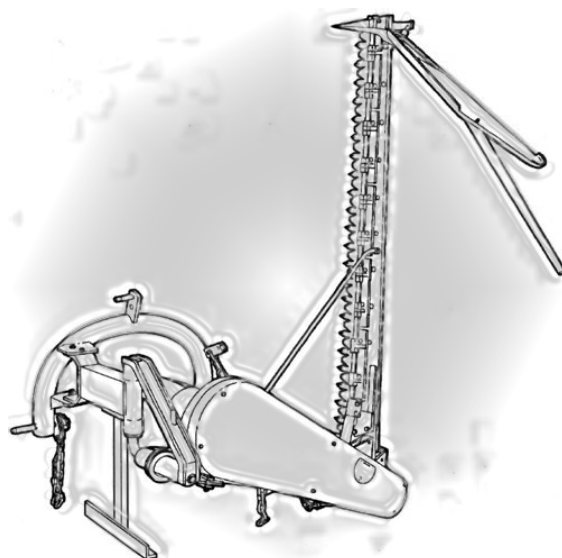
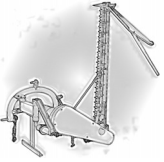




**BARRE FALCIANTI  
PER TRATTORI**

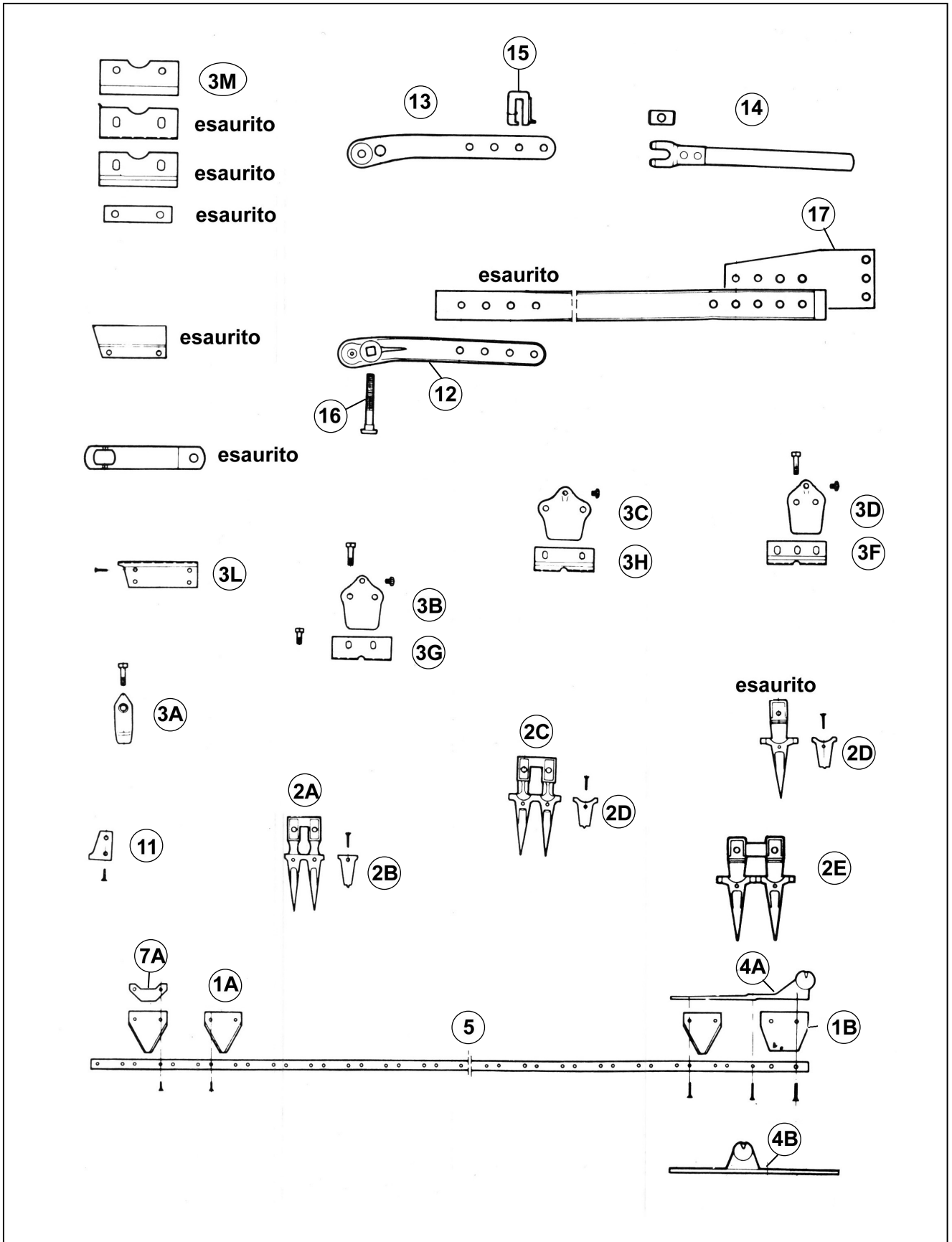
***MOWERS  
FOR TRACTORS***

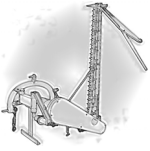




# GASPARDO - MONOLAMA

## Barra di Taglio - *Cutterbar*

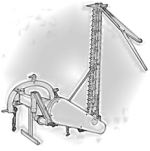




# GASPARDO - MONOLAMA



Pos.	Orig. Ref.	RIMA Ref.	Description	Application	Pack.
<b>Cutterbar</b>					
01A	DIN80R	RM15-010	Knife section serrated	20800064	25
01B	G362	RM15-029	Dunning knife section	20800063	1
02A	G315	RM15-011	Double finger	20800028	1
02B	2355/A	RM15-032	Wearing plate	20800029	1
02C	G316	RM15-012	Double finger	20800040	1
02D	SS220	RM15-008	Finger plate	20800085	1
02E	G317-2-10	RM15-014A	Double finger holes 10mm	20800018	1
	G317-2-12	RM15-014B	Double finger holes 12mm	20800018	1
03A	G318	RM15-016	Knife clip	20800033	1
03B	G318A	RM15-015	Knife clip	20800042	1
03C	G318B	RM15-017	Knife clip	20800051	1
03D	G318C	RM15-018	Knife clip	20800031	1
03F	G321	RM15-020	Wearing plate	20800030	1
03G	G322	RM15-021	Wearing plate	20800041	1
03H	G323	RM15-022	Wearing plate	20800050	1
03L	G342	RM15-026	Wearing plate	20800009	1
03M	G343	RM15-027	Guide	20800021	1
04A	G361	RM15-028	Knife head	20800062	1
04B	FR270	RM15-034	Knife head SPECIAL	20820020	1
05	G360A/18	RM15-035	Knife back 18 sections	20800069	5
	G360A/20	RM15-036	Knife back 20 sections	20800070	5
	G360A/22	RM15-037	Knife back 22 sections	20800071	5
	G360A/24	RM15-038	Knife back 24 sections	20800072	5
07	RM15-039		Cpl. knife assy 18 sect. Serrated	20800075	1
	RM15-040		Cpl. knife assy 20 sect. Serrated	20800076	1
	RM15-041		Cpl. knife assy 22 sect. Serrated	20800077	1
	RM15-042		Cpl. knife assy 24 sect. Serrated	20800078	1
07A	G319	RM15-019	Wearing plate for knife assy	20800066	1
11	SS3915	RM15-033	Wearing plate	20800054	1



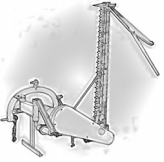
# GASPARDO - MONOLAMA



Pos.	Orig. Ref.	RIMA Ref.	Description	Application	Pack.
<b>Various Spare Parts</b>					
12	G373	RM15-030	Connecting junction	20830007	1
13	G374	RM15-031	Connecting junction	20830008	1
14	M.61	RM15-001	Spring	20830010 = 1043/44	1
	M.63/2	RM15-006	Cylindrical nut	20830013	1
15	M.62	RM15-002	Square	20830011 = 1045	1
16	M.63	RM15-003	Left bolt 7/16x68	20830014	1
	M.63/A	RM15-004	Left bolt 7/16x83	20830015	1
17	M.64	RM15-007	Connecting rod plate	20830004	1

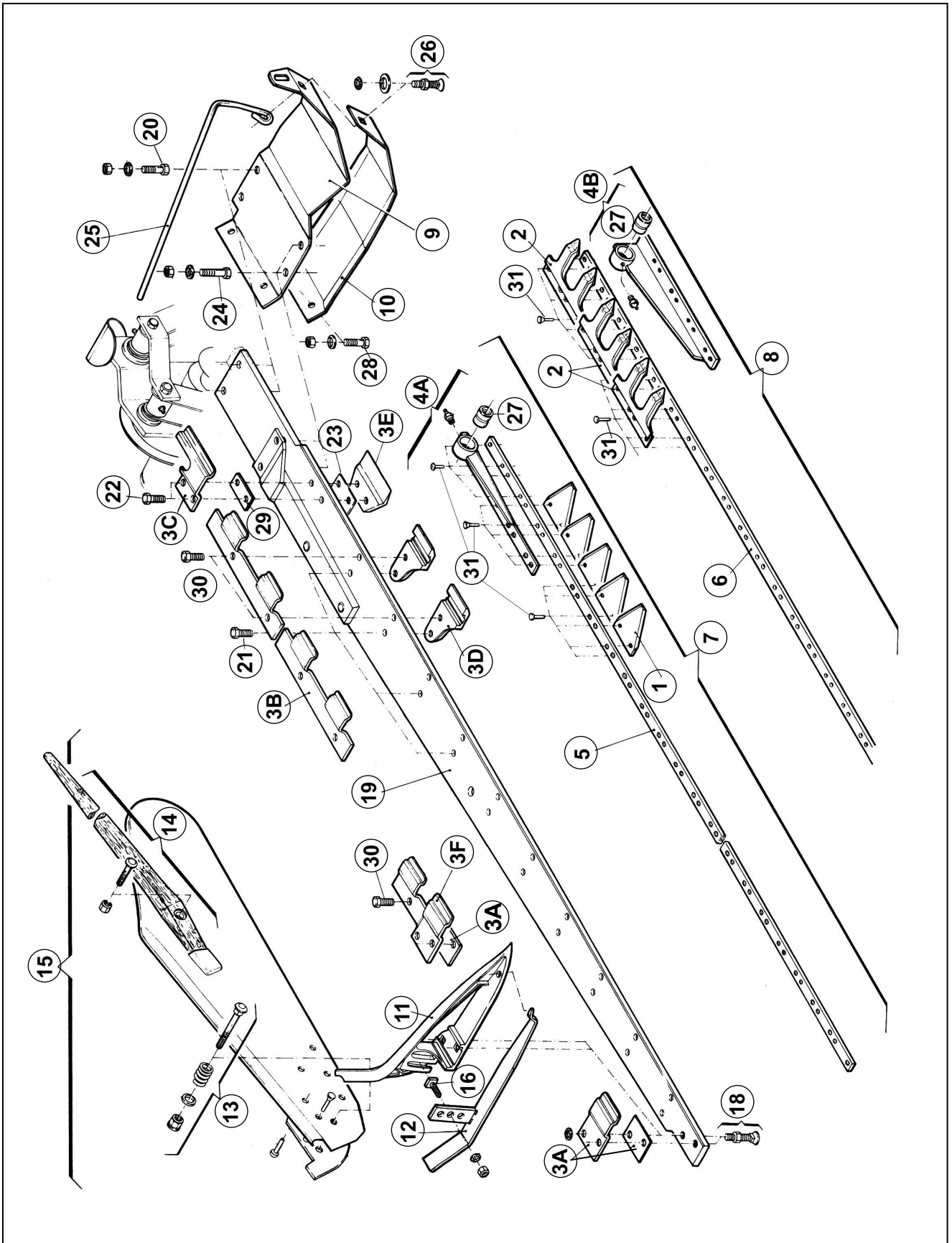


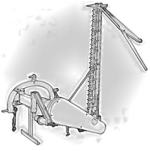




# GASPARDO – FB925

## Barra di Taglio - *Cutterbar*

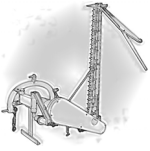




# GASPARDO - FB925



Pos.	Orig. Ref.	RIMA Ref.	Description	Application	Pack.
<b>Cutterbar</b>					
01	21120065	RM15-077	Knife section		25
02	21120066/1	RM15-086/1	Double finger		1
03A	21120039	RM15-050	Upper outer guide genuine	G.17	1
	21120040	RM15-051	Spacer		1
03B	21120041	RM15-058	Upper blade guide		1
	21120232	RM15-196	First upper knife clip		1
	21170065	RM15-139	Triple blade guide genuine	G.25	1
03C	21120312	RM15-061	Inner blade guide	21120043	1
03D	21120042	RM15-063	Lower blade guide		1
03E	21120045	RM15-064	Inner guide		1
03F	21120113	RM15-093	Outer guide genuine	solo per 1,30mt	1
04A	21120046	RM15-075	Knife head with bushing		1
04B	21120052	RM15-087	Knife head with bushing		1
05	21120059	RM15-071	Knife back 20 sections	1,45mt	5
	21120064	RM15-072	Knife back 24 sections	1,75mt	5
	21120099	RM15-070	Knife back 18 sections	1,30mt	5
	21120100	RM15-073	Knife back 28 sections	2,05mt	5
06	21120050	RM15-084	Knife back 12 fingers	1,75mt	5
	21120061	RM15-083	Knife back 10 fingers	1,45mt	5
	21120103	RM15-082	Knife back 9 fingers	1,30mt	5
	21120104	RM15-085	Knife back 14 fingers	2,05mt	5
07	21120049	RM15-080	Complete knife 24 sections - sheet head	1,75mt	1
	21120060	RM15-079	Complete knife 20 sections - sheet head	1,45mt	1
	21120101	RM15-078	Complete knife 18 sections - sheet head	1,30mt	1
	21120102	RM15-081	Complete knife 28 sections - sheet head	2,05mt	1
08	21120053/1	RM15-090/1	Complete knife 12 fingers RM - sheet head	1,75mt	1
	21120062/1	RM15-089/1	Complete knife 10 fingers RM - sheet head	1,45mt	1
	21120105/1	RM15-088/1	Complete knife 9 fingers RM - sheet head	1,30mt	1
	21120106/1	RM15-091/1	Complete knife 14 fingers RM - sheet head	2,05mt	1
09	21120034	RM15-068	Inner shoe genuine		1
10	21120035	RM15-067	Inner slide genuine		1
11	19200903	RM15-048	Outer shoe genuine	ex 21120037	1
12	21120038	RM15-047	Outer slide genuine	G.12	1
13	21120133	RM15-043	Swathboard bolt assy genuine	G.05	1
14	20800061	RM15-044	Swathboard rod assy genuine	G.09	1

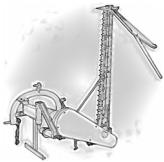


# GASPARDO - FB925



Pos.	Orig. Ref.	RIMA Ref.	Description	Application	Pack.
15	21120134	RM15-046	Swathboard assy genuine	20800061+21120133+21120134	1
16	01030508	RM15-049	Screw M12x30 with nut & washer	ex 20800055-41217008	1
18	01060113	RM15-052	Bolt 10x40 genuine	ex 42180004	1
19	21120033	RM15-055	Knife back genuine	1,75mt	1
	21120058	RM15-054	Knife back genuine	1,45mt	1
	21120097	RM15-053	Knife back genuine	1,30mt	1
	21120098	RM15-056	Knife back genuine	2,05mt	1
20	01020154	RM15-057	Bolt 12x45 with washer genuine	ex 41602055	1
21	01020472	RM15-059	Screw 10x25 genuine	ex 41605041	1
22	01020112	RM15-060	Screw 10x45 genuine	ex 41602039	1
23	21120044	RM15-062	Spacer genuine	G.29	1
24	01020156	RM15-065	Screw with nut & washer 12x50 genuine	ex 41602056	1
25	21120036	RM15-066	Grass-divider genuine	G.35	1
26	01060074	RM15-069	Bolt 10x40 genuine	ex 42182001	1
27	21120048	RM15-076	Bushing knife head		1
28	01020472	RM15-059	Screw 10x25 genuine	ex 41605041	1
29	21120138	RM15-095	Spacer genuine	G.58	1
30	01020476	RM15-096	Screw 10x30 genuine	ex 41605042	1
31	02250443	RM15-074	Rivets TPSV 5,3x13-x16-x19	ex 48974012	1





# GASPARDO - FB925



Notes

---

---

---

---

---

---

---

---

---

---

---

---

---

---

---

---

---

---

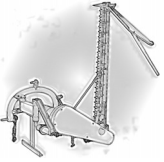
---

---

---

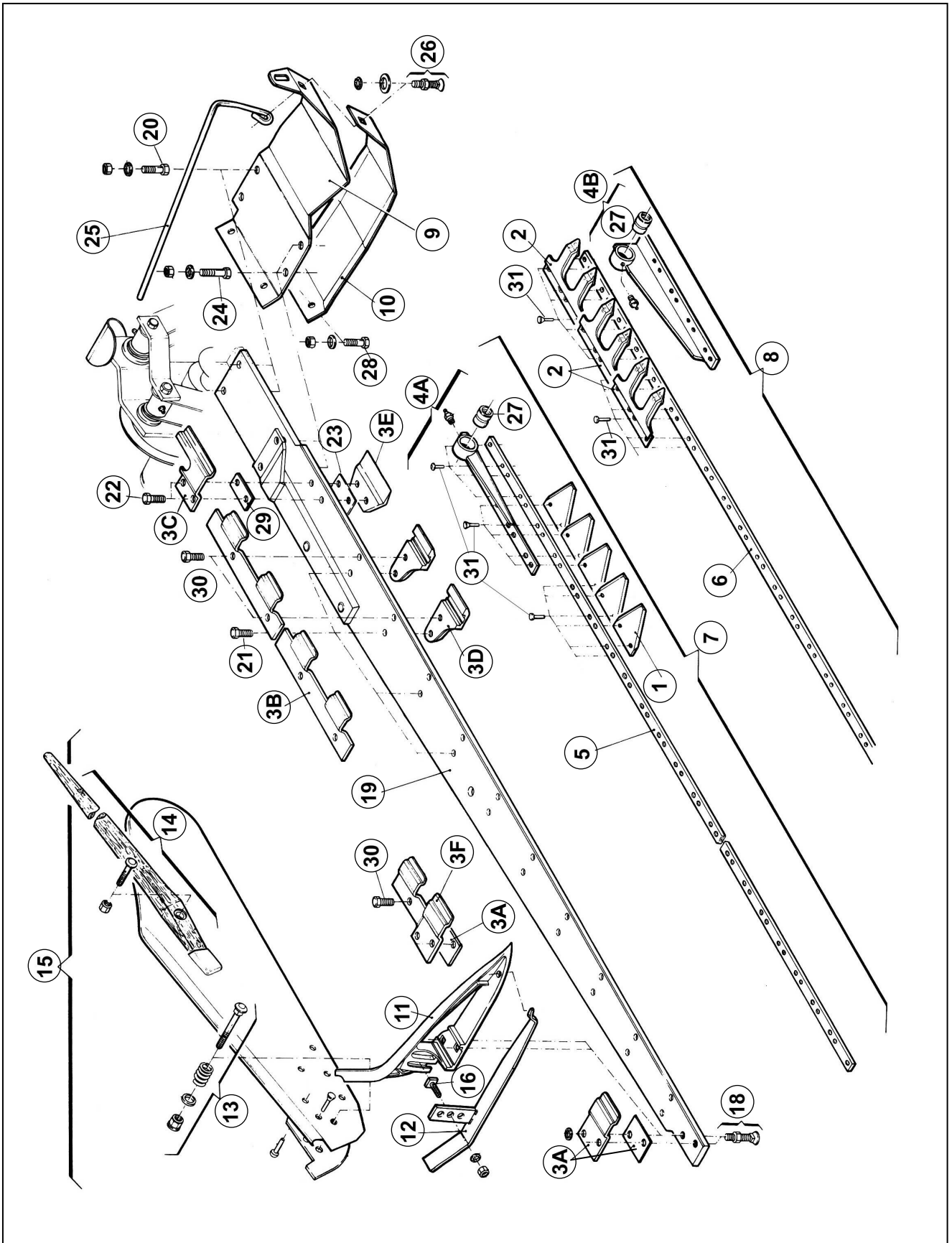
---

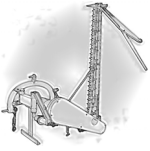
---



# GASPARDO – FB940

## Barra di Taglio - *Cutterbar*

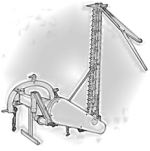




# GASPARDO - FB940



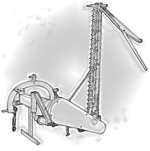
Pos.	Orig. Ref.	RIMA Ref.	Description	Application	Pack.
<b>Cutterbar</b>					
<b>01</b>	21120243	RM15-129	Knife section serrated hole 6,25	G.49	25
<b>02</b>	13013810	RM15-118	Double guard genuine	Ribattini	1
	21120268	RM15-106	Double finger genuine		1
	21120268/1	RM15-106/1	Double finger = 088 with holes of 6,25	G.56	1
<b>03A</b>	21120039	RM15-050	Upper outer guide genuine	G.17	1
	21120040	RM15-051	Spacer	G.18	1
<b>03B</b>	21120041	RM15-058	Upper blade guide	G.25	1
	21120232	RM15-196	First upper knife clip		1
	21170065	RM15-139	Triple blade guide genuine	G.25	1
<b>03C</b>	21120312	RM15-061	Inner blade guide	21120043	1
<b>03D</b>	21120042	RM15-063	Lower blade guide	G.30	1
<b>03E</b>	21120045	RM15-064	Inner guide	G.31	1
<b>03F</b>	21120113	RM15-093	Outer guide genuine	solo per 1,30mt	1
<b>04A</b>	21120267	RM15-145	Forged knife head		1
	21120267RM	RM15-145A	Knife head		1
<b>04B</b>	21120259	RM15-146	Forged knife head		1
	21120259RM	RM15-146A	Knife head		1
<b>05</b>	21120244	RM15-130	Knife back 18 sections	1,30mt	5
	21120245	RM15-131	Knife back 20 sections	1,45mt	5
	21120246	RM15-132	Knife back 24 sections	1,75mt	5
	21120247	RM15-133	Knife back 28 sections	2,05mt	5
	21120248	RM15-134	Knife back 32 sections	2,35mt	5
<b>06</b>	21120249	RM15-107	Knife back 9 fingers	1,30mt	5
	21120250	RM15-108	Knife back 10 fingers	1,45mt	5
	21120251	RM15-109	Knife back 12 fingers	1,75mt	5
	21120252	RM15-110	Knife back 14 fingers	2,05mt	5
	21120253	RM15-111	Knife back 16 fingers	2,35mt	5
<b>07</b>	13013620	RM15-154	Complete knife 24 sections - sheet head	1,75mt	1
	13013630	RM15-155	Complete knife 28 sections - sheet head	2,05mt	1
	21120238	RM15-124	Complete knife 18 sections - forged head	1,30mt	1
	21120238RM	RM15-124A	Complete knife 18 sections - sheet head	1,30mt	1
	21120239	RM15-125	Complete knife 20 sections - forged head	1,45mt	1
	21120239RM	RM15-125A	Complete knife 20 sections - sheet head	1,45mt	1
	21120240	RM15-126	Complete knife 24 sections - forged head	1,75mt	1
	21120240RM	RM15-126A	Complete knife 24 sections - sheet head	1,75mt	1
	21120241	RM15-127	Complete knife 28 sections - forged head	2,05mt	1



# GASPARDO - FB940



Pos.	Orig. Ref.	RIMA Ref.	Description	Application	Pack.
07	21120241RM	RM15-127A	Complete knife 28 sections - sheet head	2,05mt	1
	21120242	RM15-128	Complete knife 32 sections - forged head	2,35mt	1
	21120242RM	RM15-128A	Complete knife 32 sections - sheet head	2,35mt	1
08	13013840	RM15-180	Complete knife 9 fingers - 13013810 - sheet head	1,30mt	1
	13013850	RM15-181	Complete knife 10 fingers - 13013810 - sheet head	1,45mt	1
	13013860	RM15-182	Complete knife 12 fingers - 13013810 - sheet head	1,75mt	1
	13013870	RM15-183	Complete knife 14 fingers - 13013810 - sheet head	2,05mt	1
	21120254	RM15-112	Complete knife assy 9 fingers ORIG.-sheet head	1,30mt	1
	21120254/1	RM15-112/1	Complete knife assy 9 fingers RM-sheet head	1,30mt	1
	21120254/2	RM15-112/2	Complete knife assy 9 fingers RM-forged head	1,30mt	1
	21120255	RM15-113	Complete knife assy 10 fingers ORIG.-sheet head	1,45mt	1
	21120255/1	RM15-113/1	Complete knife assy 10 fingers RM-sheet head	1,45mt	1
	21120255/2	RM15-113/2	Complete knife assy 10 fingers RM-forged head	1,45mt	1
	21120256	RM15-114	Complete knife assy 12 fingers ORIG.-sheet head	1,75mt	1
	21120256/1	RM15-114/1	Complete knife assy 12 fingers RM-sheet head	1,75mt	1
	21120256/2	RM15-114/2	Complete knife assy 12 fingers RM-forged head	1,75mt	1
	21120257	RM15-115	Complete knife assy 14 fingers ORIG.-sheet head	2,05mt	1
	21120257/1	RM15-115/1	Complete knife assy 14 fingers RM-sheet head	2,05mt	1
	21120257/2	RM15-115/2	Complete knife assy 14 fingers RM-forged head	2,05mt	1
	21120258	RM15-116	Complete knife assy 16 fingers ORIG.-sheet head	2,35mt	1
	21120258/1	RM15-116/1	Complete knife assy 16 fingers RM-sheet head	2,35mt	1
	21120258/2	RM15-116/2	Complete knife assy 16 fingers RM-forged head	2,35mt	1
	09	21120311	RM15-138	Inner shoe genuine	
21120323		RM15-143	Inner shoe genuine		1
10	21120229	RM15-137	Inner slide genuine		1
	21120324	RM15-144	Inner slide genuine		1
11	19200903	RM15-048	Outer shoe genuine	ex 21120037	1
12	21120038	RM15-047	Outer slide genuine	G.12	1
13	21120133	RM15-043	Swathboard bolt assy genuine	G.05	1
14	20800061	RM15-044	Swathboard rod assy genuine	G.09	1
15	21120134	RM15-046	Swathboard assy genuine	20800061+21120133+21120134	1
16	01030508	RM15-049	Screw M12x30 with nut & washer	ex 20800055-41217008	1
18	01060113	RM15-052	Bolt 10x40 genuine	ex 42180004	1
19	21120315	RM15-140	Reinforced bar genuine	1,75mt	1
	21120316	RM15-141	Reinforced bar genuine	2,05mt	1
	21120317	RM15-142	Reinforced bar genuine	2,35mt	1
20	01020154	RM15-057	Bolt 12x45 with washer genuine	ex 41602055	1

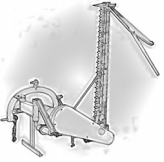


# GASPARDO - FB940



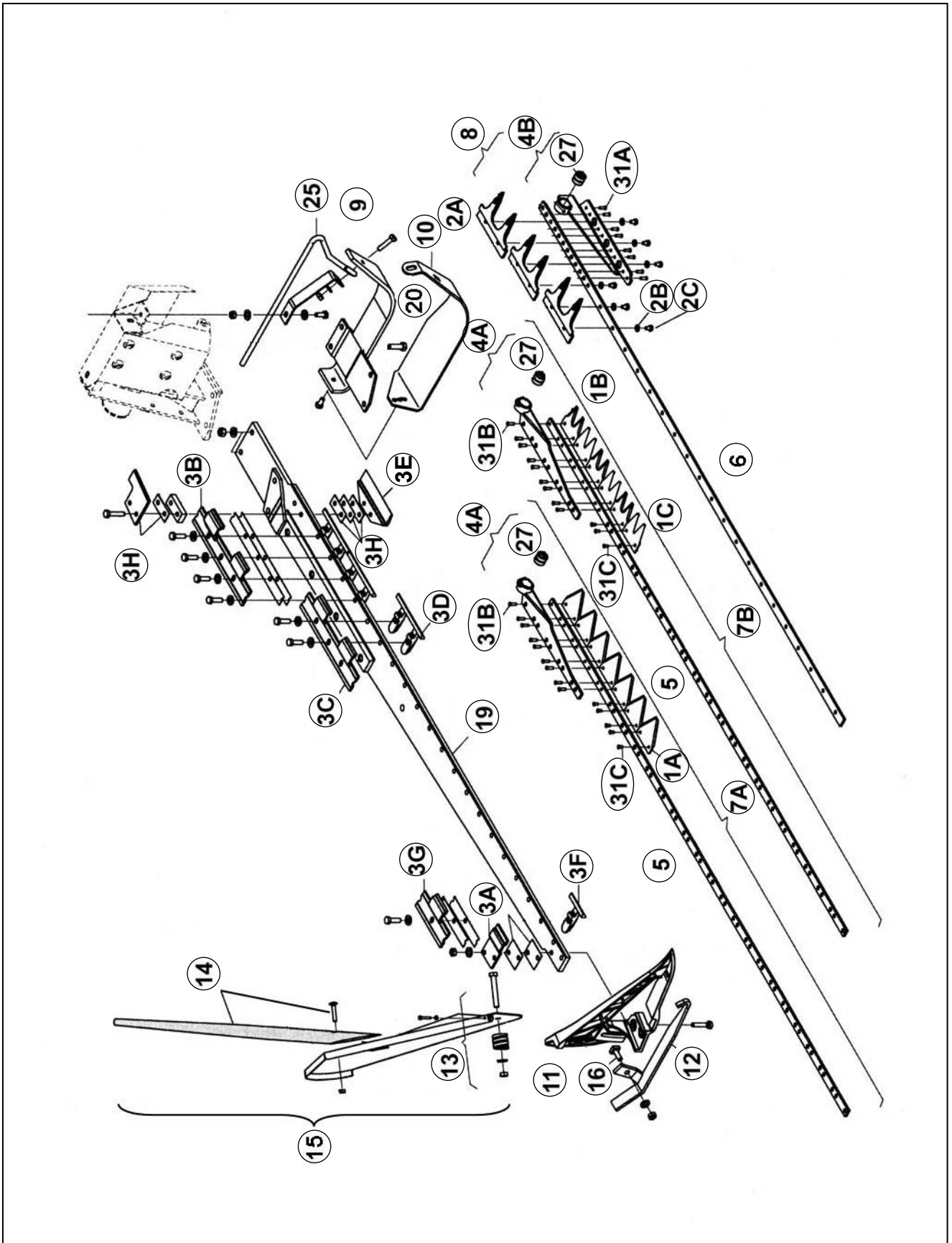
Pos.	Orig. Ref.	RIMA Ref.	Description	Application	Pack.
21	01020472	RM15-059	Screw 10x25 genuine	ex 41605041	1
22	01020122	RM15-060	Screw TE. 10x45 genuine	ex 41602039	1
23	21120044	RM15-062	Spacer genuine	G.29	1
24	01020156	RM15-065	Screw with nut & washer 12x50 genuine	ex 41602056	1
25	21120036	RM15-066	Grass-divider genuine	G.35	1
26	01060074	RM15-069	Bolt 10x40 genuine	ex 42182001	1
27	21120048	RM15-076	Bushing knife head	G.46	1
29	21120138	RM15-095	Spacer genuine	G.58	1
30	01020476	RM15-096	Screw 10x30 genuine	ex 41605042	1
31	48974018	RM15-184	Rivet 6x13		1
	48974019	RM15-185	Rivet 6x19		1

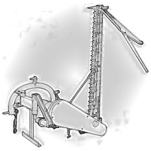




# GASPARDO – FBR DENTI SMONTABILI

## Barra di Taglio - *Cutterbar*

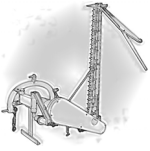




# GASPARDO - FBR DENTI SMONTABILI



Pos.	Orig. Ref.	RIMA Ref.	Description	Application	Pack.
<b>Cutterbar</b>					
01A	21120243	RM15-129	Knife section serrated hole 6,25	G.49	25
01B	13013550	RM15-166	Lower double tip section	svasata sotto	25
01C	13013540	RM15-167	Upper double tip section	svasata sopra	25
02A	13013270	RM15-169	Bolt-on double finger	088R	1
	13013830	RM15-174	Bolt-on special double finger genuine	da imbullonare	1
02B	01460138	RM15-168	Washer	44959128	1
02C	01010222	RM15-149	Screw	41607011	1
03A	21120039	RM15-050	Upper outer guide genuine	G.17	1
	21120040	RM15-051	Spacer		1
03B	19203311	RM15-156	Guide genuine		1
03C	19203301	RM15-164	Guide genuine		1
03D	13013151	RM15-158	Guide		1
03E	21120045	RM15-064	Inner guide		1
03F	13013511	RM15-165	Guide		1
03G	13011501	RM15-159	Guide genuine		1
03H	21120044	RM15-062	Spacer genuine	G.29	1
	21120312	RM15-061	Guide	21120043	1
04A	13013190	RM15-148	Knife head		1
04B	13013230	RM15-170	Knife head		1
05	21120246	RM15-132	Knife back 24 sections	1,75mt	5
	21120247	RM15-133	Knife back 28 sections	2,05mt	5
06	13013300	RM15-150	Knife back 12 fingers	1,75mt	5
	13013310	RM15-151	Knife back 14 fingers	2,05mt	5
07A	13013580	RM15-172	Complete knife assy 24 section - sheet head	1,75mt	1
	13013590	RM15-173	Complete knife assy 28 section - sheet head	2,05mt	1
07B	13013670	RM15-186	Complete knife assy double tip sect.-sheet head	1,75mt	1
	13013680	RM15-187	Complete knife assy double tip sect.-sheet head	2,05mt	1
08	13013770	RM15-152	Complete knife 12 fingers 13013830 OR sheet h	1,75mt	1
	13013780	RM15-153	Complete knife 14 fingers 13013830 OR. sheet h	2,05mt	1
	13013880		Complete knife 16 fingers 13013830 OR. sheet h	2,35mt	1
	RM15-152A		Complete knife 12 fingers - 13013270 RM-sheet	1,75mt	1
	RM15-153A		Complete knife 14 fingers - 13013270 RM-sheet	2,05mt	1
09	21120323	RM15-143	Inner shoe genuine		1
10	21120324	RM15-144	Inner slide genuine		1



# GASPARDO - FBR DENTI SMONTABILI

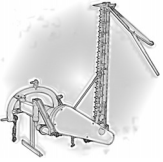


Pos.	Orig. Ref.	RIMA Ref.	Description	Application	Pack.
11	19200903	RM15-048	Outer shoe genuine	ex 21120037	1
12	21120038	RM15-047	Outer slide genuine	G.12	1
13	21120133	RM15-043	Swathboard bolt assy genuine	G.05	1
14	20800061	RM15-044	Swathboard rod assy genuine	G.09	1
15	21120134	RM15-046	Swathboard assy genuine	20800061+21120133+21120134	1
16	01030508	RM15-049	Screw M12x30 with nut & washer	ex 20800055-41217008	1
19	13013431	RM15-162	Finger bar genuine	1,75mt	1
	13013471	RM15-163	Finger bar genuine	2,05mt	1
20	01020154	RM15-057	Bolt 12x45 with washer genuine	ex 41602055	1
25	21120322	RM15-161	Hinge protection genuine		1
27	21120048	RM15-076	Bushing knife head		1
31A	20000036	RM15-188	Rivet 6x16		1
31B	20000037	RM15-189	Rivet 6x19		1
31C	20000035	RM15-190	Rivet 6x13		1



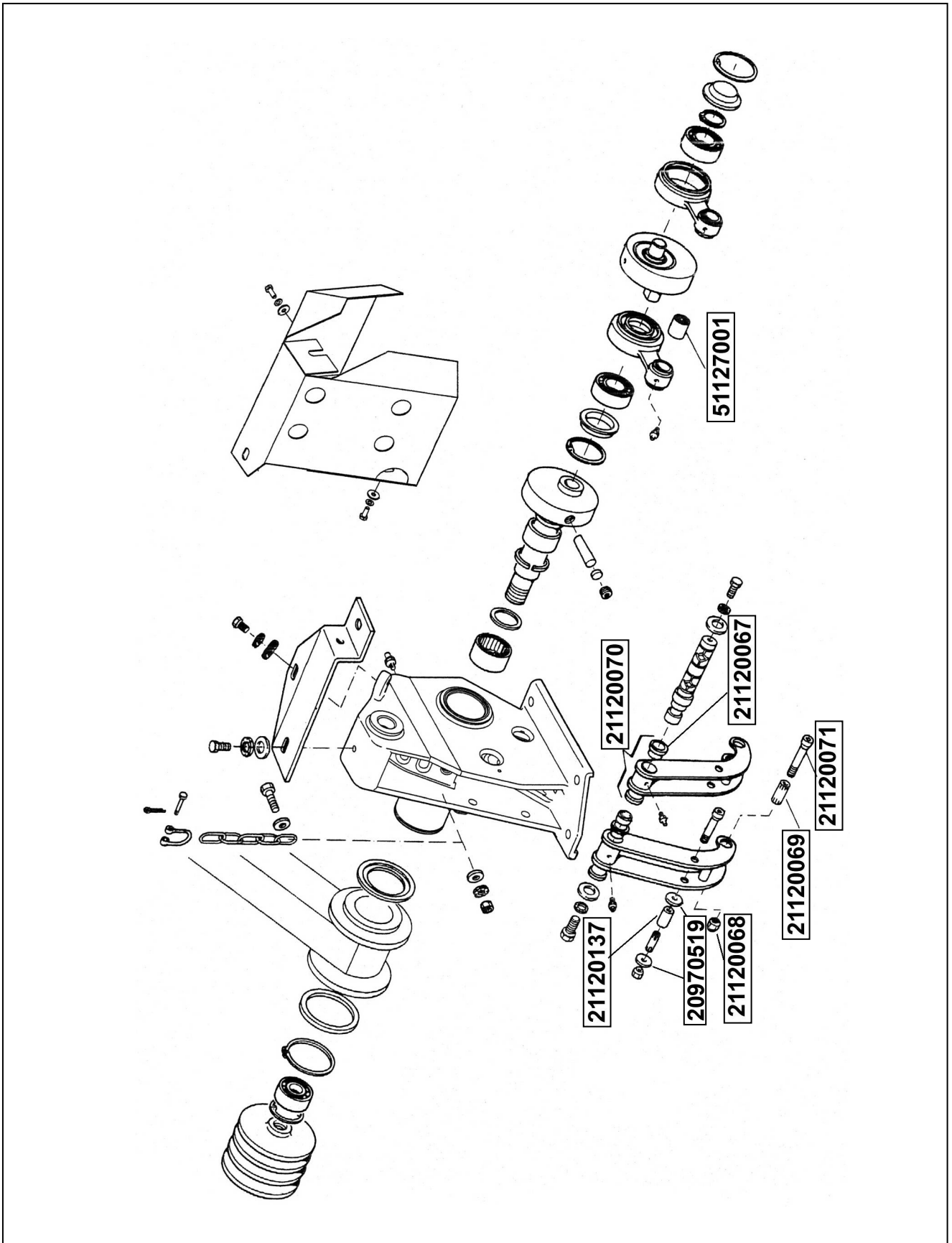


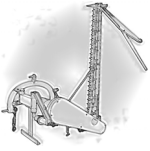




# GASPARDO – FBR, FB925, FB940

## Ricambi Vari – *Various Spare Parts*



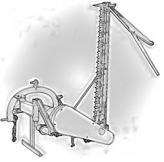


# GASPARDO - FBR, 925, 940



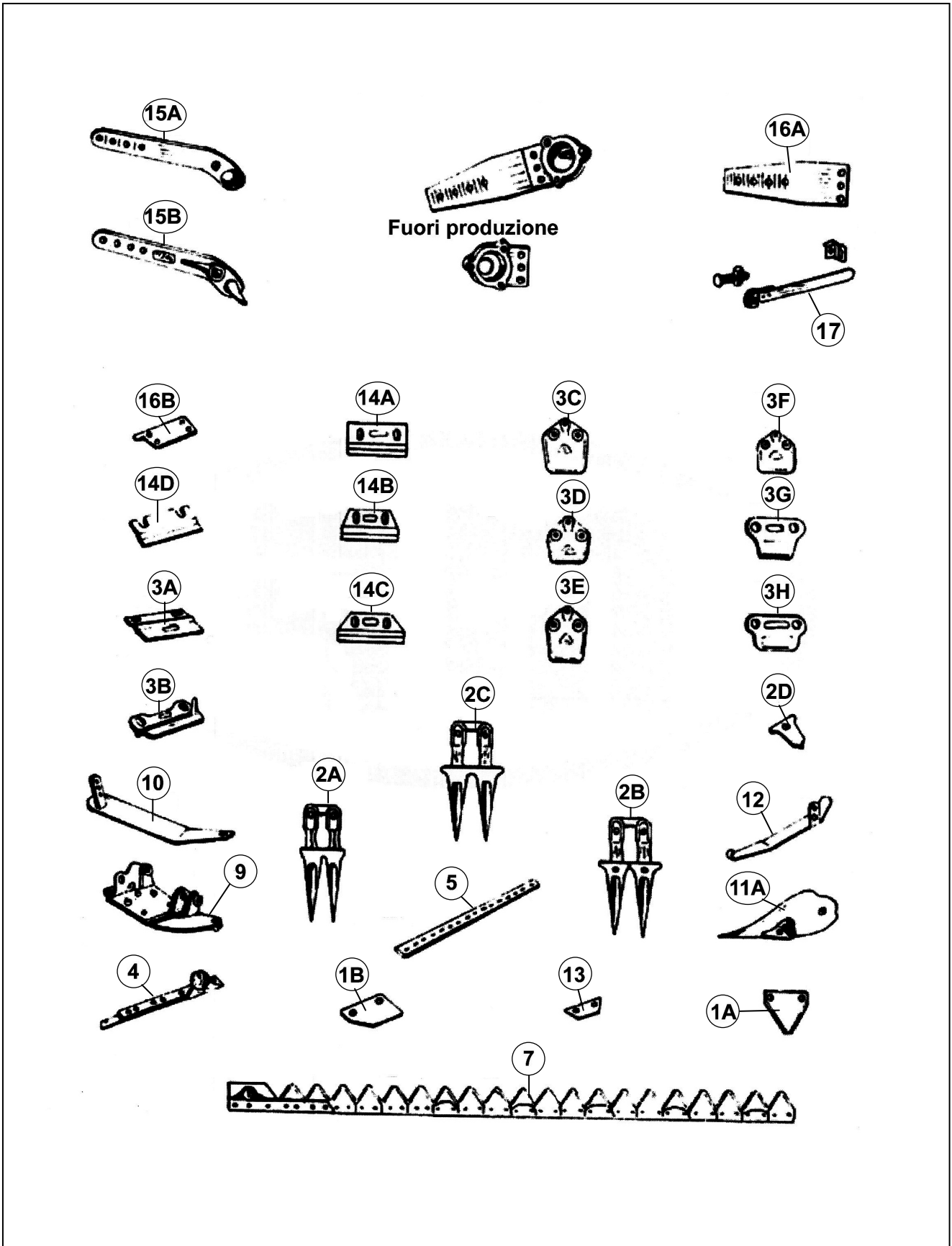
Pos.	Orig. Ref.	RIMA Ref.	Description	Application	Pack.
<b>Various Spare Parts</b>					
<input type="checkbox"/>	20970519	RM15-103	Washer genuine	G.66	1
	21120067	RM15-097	Bronze bushing	G.60	1
	21120068	RM15-100	Conical nut	G.63	1
	21120069	RM15-099	Pin	G.62	1
	21120070	RM15-104	Connecting rod	G.33	1
	21120071	RM15-098	Screw	G.61	1
	21120121	RM15-147	Roller genuine		1
	21120137	RM15-101	Inner ring genuine	G.64	1
	51127001	RM15-102	Ball bearing	G.65	1

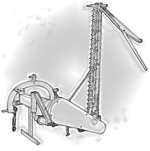




# GRIBALDI & SALVIA – MONOLAMA

## Barra di Taglio – *Cutterbar*

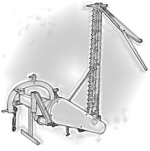




# GRIBALDI & SALVIA - MONOLAMA



Pos.	Orig. Ref.	RIMA Ref.	Description	Application	Pack.
<b>Cutterbar</b>					
01A	242S	RM17-133	Knife section	902	25
01B	1379	RM17-153	Dunning section	908	1
02A	1384B	RM17-135	Double finger genuine	1124	1
02B	1383B	RM17-134	Double finger - genuine	1123	1
	1383B/1	RM17-134/1	Double finger RM	1123	1
02C	1408D	RM17-136	Double finger RM	G317-2-10	1
02D	1393	RM17-137	Finger wearing plate	1228	1
	1394B	RM17-138	Finger wearing plate genuine	1230	1
	1409	RM17-139	Finger wearing plate genuine	1231	1
03A	1391	RM17-156	Guide genuine	713	1
03B	1377	RM17-157	Guide genuine	714	1
03C	1381	RM17-163	Knife clip	723	1
03D	1381A	RM17-164	Knife clip	724	1
03E	1382	RM17-165	Knife clip	ad esaurimento	1
03F	1382A	RM17-166	Knife clip genuine	ad esaurimento	1
03G	1410	RM17-167	Knife clip genuine	727	1
03H	1410A	RM17-168	Knife clip genuine	728	1
04	1380A	RM17-152	Knife head	906	1
05	1388/20	RM17-149	Knife back 20 sections	1,52mt	5
	1388/22	RM17-150	Knife back 22 sections	1,67mt	5
	1388/24	RM17-151	Knife back 24 sections	1,82mt	5
07	20152/R	RM17-142	Knife assy 20 sections	1,52mt	1
	22167/R	RM17-144	Knife assy 22 sections	1,67mt	1
	24182/R	RM17-146	Knife assy 24 sections	1,82mt	1
09	1376	RM17-170	Shoe genuine	730	1
10	1389	RM17-172	Slide genuine	747	1
11A	MC1042A	RM17-169	Outer shoe genuine	729	1
11B	M333	RM17-155	Shoe wear plate genuine	1264	1
12	1396	RM17-171	Slide genuine	746	1
13	1395	RM17-154	Wearing plate	1278	1
14A	1411	RM17-160	Wearing plate genuine	720	1
14B	1386	RM17-159	Wearing plate	719	1
14C	1385	RM17-158	Wearing plate	718	1

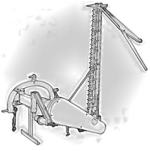


# GRIBALDI & SALVIA - MONOLAMA



Pos.	Orig. Ref.	RIMA Ref.	Description	Application	Pack.
14D	1378	RM17-162	Wearing plate	722	1
15A	M147	RM17-181	Connecting junction genuine	1040	1
15B	M304	RM17-182	Connecting junction genuine	1041	1
16A	GS74	RM17-175	Connecting plate genuine	1035	1
16B	1392	RM17-161	Shoe wear plate genuine	721	1
17	1043/44	RM17-178	Spring genuine		1



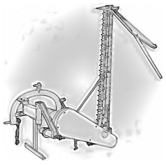


# GRIBALDI & SALVIA - MONOLAMA



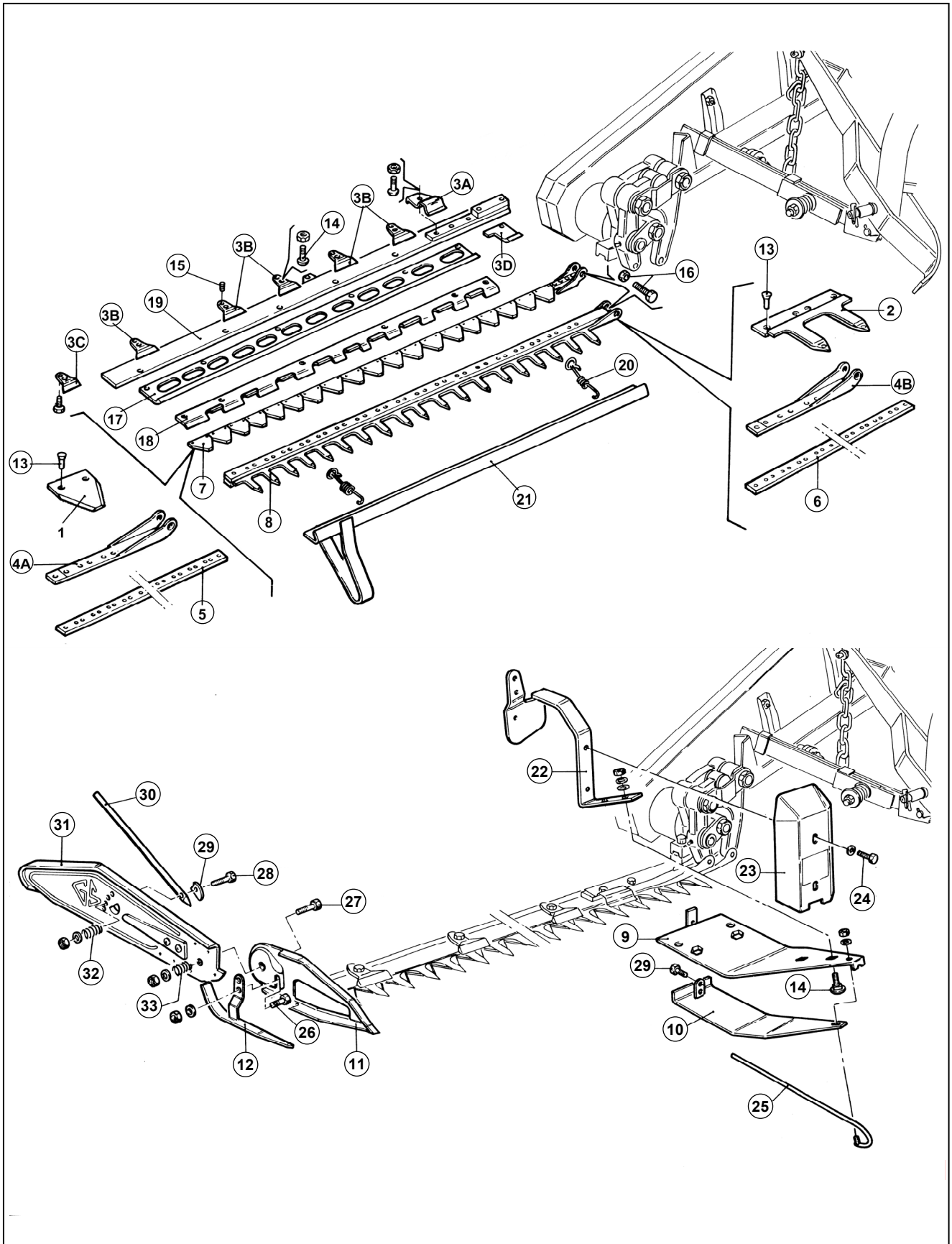
Pos.	Orig. Ref.	RIMA Ref.	Description	Application	Pack.
Various Spare Parts					
<input type="checkbox"/>	1045	RM17-179	Support genuine	RS948	1
	1046	RM17-180	Bolt genuine		1
	2010	RM17-173	Screw 10x36 genuine	748	1
	2011	RM17-174	Screw 10x28 genuine	749	1



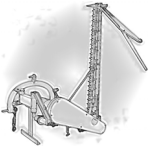


# GRIBALDI & SALVIA – SUPERIOR

## Barra di Taglio – *Cutterbar*



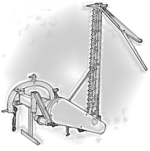




# GRIBALDI & SALVIA - SUPERIOR



Pos.	Orig. Ref.	RIMA Ref.	Description	Application	Pack.
<b>Cutterbar</b>					
01	036	RM17-005	Knife section serrated 3,0 mm.	1581230V/1431	25
02A	088	RM17-007	Double finger holes 5,5 mm. Genuine	1465	1
	088/1	RM17-007/1	Double finger RM		1
02B	087	RM17-006	Double finger holes 7,0 mm. Genuine	1464	1
	087/1	RM17-006/1	Double finger holes 7,0 mm RM	1464	1
03A	027	RM17-028	Knife clip	1425	1
03B	028	RM17-029	Knife clip	1426	1
03C	028A	RM17-030	Knife clip	1426/1	1
03D	029B	RM17-039	Guide for Knife head		1
04A	017A	RM17-011	Lower knife head genuine	1717	1
	017A/1	RM17-011/1	Lower knife head RM		1
04B	016A	RM17-010	Upper knife head genuine	1414	1
	016A/1	RM17-010/1	Upper knife head RM	1414	1
05	017B/167	RM17-016	Knife back 22 sections	1,67mt	5
	017B/182	RM17-017	Knife back 24 sections	1,82mt	5
	017B/197	RM17-018	Knife back 26 sections	1,97mt	5
	017B/212	RM17-019	Knife back 28 sections	2,12mt	5
06	016B/167	RM17-012	Knife back 11 fingers	1,67mt	5
	016B/182	RM17-013	Knife back 12 fingers	1,82mt	5
	016B/197	RM17-014	Knife back 13 fingers	1,97mt	5
	016B/212	RM17-015	Knife back 14 fingers	2,12mt	5
07	017/167	RM17-024	Knife assy 22 sections	1,67mt	1
	017/182	RM17-025	Knife assy 24 sections	1,82mt	1
	017/197	RM17-026	Knife assy 26 sections	1,97mt	1
	017/212	RM17-027	Knife assy 28 sections	2,12mt	1
08	016/167	RM17-020	Knife assy 11 fingers	1,67mt	1
	016/167/1	RM17-020/1	Knife assy 11 fingers	1,67mt	1
	016/182	RM17-021	Knife assy 12 fingers	1,82mt	1
	016/182/1	RM17-021/1	Knife assy 12 fingers	1,82mt	1
	016/197	RM17-022	Knife assy 13 fingers	1,97mt	1
	016/197/1	RM17-022/1	Knife assy 13 fingers	1,97mt	1
	016/212	RM17-023	Knife assy 14 fingers	2,12mt	1
	016/212/1	RM17-023/1	Knife assy 14 fingers	2,12mt	1
09	025	RM17-047	Inner shoe genuine	1423	1
10	024	RM17-046	Inner slide genuine	1422	1
11	034/8264	RM17-044	Outer shoe genuine	1485/1429	1

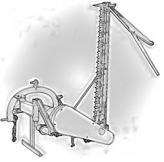


# GRIBALDI & SALVIA - SUPERIOR



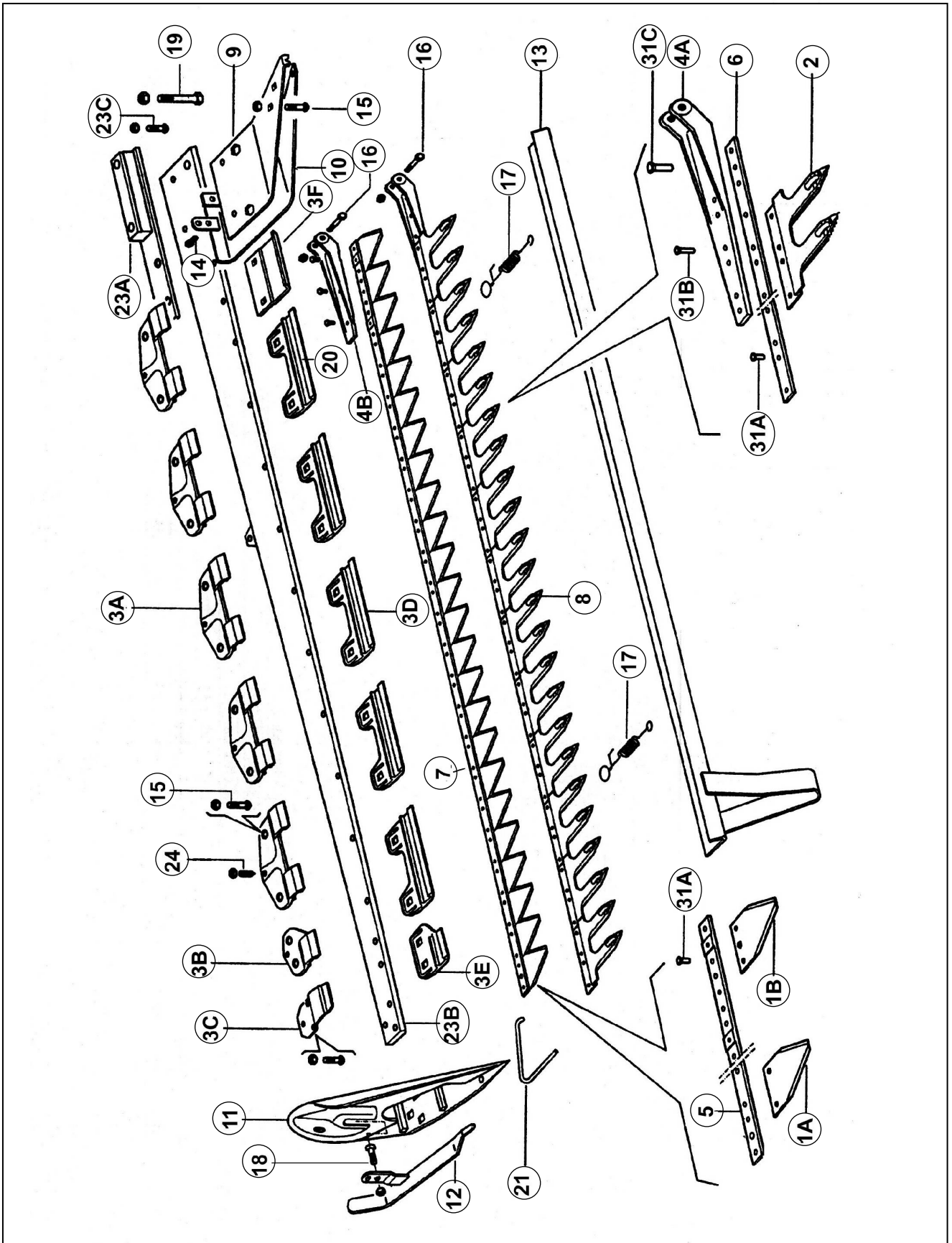
Pos.	Orig. Ref.	RIMA Ref.	Description	Application	Pack.
12	8265	RM17-045	Outer slide genuine	1492/1430	1
13	RM17-009		Rivet TPSV. 5,3x13x22-7x22		1
14	093/094 T.N.	RM17-183	Bolt 12x45	8267	1
	093/094 T.V.	RM17-004	Screw with nut, for knife clip	706	1
15	8119	RM17-008	Screw		1
16	8114	RM17-003	Screw with nut		1
17	029/167	RM17-031	Lower wearing guide genuine	1,67mt	1
	029/182	RM17-032	Lower wearing guide genuine	1,82mt	1
	029/197	RM17-033	Lower wearing guide genuine	1,97mt	1
	029/212	RM17-034	Lower wearing guide genuine	2,12mt	1
18	030/167	RM17-035	Upper wearing guide genuine	1,67mt	1
	030/182	RM17-036	Upper wearing guide genuine	1,82mt	1
	030/197	RM17-037	Upper wearing guide genuine	1,97mt	1
	030/212	RM17-038	Upper wearing guide genuine	2,12mt	1
19	090/167	RM17-049	Holding bar genuine	1,67mt	1
	090/182	RM17-050	Holding bar genuine	1,82mt	1
	090/197	RM17-051	Holding bar genuine	1,97mt	1
	090/212	RM17-052	Holding bar genuine	2,12mt	1
20	2031	RM17-187	Spring genuine		1
21	8229	RM17-188	Protection genuine		1
23	032	RM17-064	Shield genuine		1
24	8259	RM17-189	Screw genuine		1
25	033	RM17-048	Grass divider genuine	731	1
26	2014	RM17-186	Bolt genuine		1
27	26187	RM17-254	Bolt		1
28	26185	RM17-255	Bolt		1
29	26196	RM17-256	Support		1
32	26198	RM17-257	Tine		1
33	26200	RM17-258	Tine		1

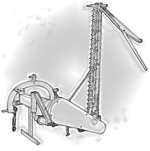




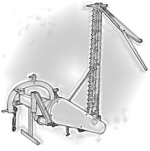
# GRIBALDI & SALVIA – 394

## Barra di Taglio – Cutterbar





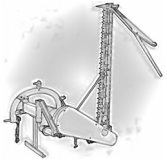
Pos.	Orig. Ref.	RIMA Ref.	Description	Application	Pack.
<b>Cutterbar</b>					
01A	14670	RM17-216	Knife section under serrated		25
01B	14672	RM17-218	Knife section under serrated 3 holes		25
02	088	RM17-007	Double finger holes 5,5 mm. Genuine	1465	1
	088/1	RM17-007/1	Double finger RM		1
03A	14285	RM17-193	Knife clip genuine		1
03B	14286	RM17-250	Knife clip genuine		1
03C	14319	RM17-197	Knife clip genuine		1
03D	14282	RM17-192	Lower guide genuine		1
03E	14283	RM17-230	Lower guide genuine		1
03F	14336	RM17-199	Guide genuine		1
04A	017A/1	RM17-011/1	Lower knife head RM		1
04B	14294/1	RM17-194/1	Knife head RM		1
05	14532	RM17-214	Knife back 24 sections	1,82mt	5
	14533	RM17-215	Knife back 28 sections	2,12mt	5
	14535	RM17-212	Knife back 22 sections	1,67mt	5
	14536	RM17-213	Knife back 26 sections	1,97mt	5
06	017B/167	RM17-016	Knife back 11 fingers	1,67mt	5
	017B/182	RM17-017	Knife back 12 teeth	1,82mt	5
	017B/197	RM17-018	Knife back 13 fingers	1,97mt	5
	017B/212	RM17-019	Knife back 14 fingers	2,12mt	5
07	14512	RM17-206	Complete knife 24 sections	1,82mt	1
	14513	RM17-207	Complete knife 28 sections	2,12mt	1
	14514	RM17-204	Complete knife 22 sections	1,67mt	1
	14515	RM17-227	Complete knife 26 sections	1,97mt	1
08	14502	RM17-021B	Complete knife 12 fingers	1,82mt	1
	14502/1	RM17-021B/1	Complete knife 12 fingers	1,82mt	1
	14503	RM17-023B	Complete knife 14 fingers	2,12mt	1
	14503/1	RM17-023B/1	Complete knife 14 fingers	2,12mt	1
	14504	RM17-251	Complete knife 11 fingers	1,67mt	1
	14504/1	RM17-251/1	Complete knife 11 fingers	1,67mt	1
	14505	RM17-229	Complete knife 13 fingers	1,97mt	1
	14505/1	RM17-229/1	Complete knife 13 fingers	1,97mt	1
13	8229	RM17-188	Protection genuine		1
14	8259	RM17-189	Screw genuine		1
15	093/094 T.N.	RM17-183	Bolt 12x45	8267	1



# GRIBALDI & SALVIA - 394



Pos.	Orig. Ref.	RIMA Ref.	Description	Application	Pack.
16	8114	RM17-003	Screw with nut		1
17	2031	RM17-187	Spring genuine		1
18	2014	RM17-186	Bolt genuine		1
19	091	RM17-077	Bolt genuine		1
20	14295	RM17-195	Screw genuine		1
21	14296	RM17-196	Hook genuine		1
23A	14320	RM17-198	Support genuine		1
23B	14522	RM17-210	Holding bar genuine	1,82mt	1
	14523	RM17-211	Holding bar genuine	2,12mt	1
	14524	RM17-231	Holding bar genuine	1,67mt	1
	14525	RM17-228	Holding bar genuine	1,97mt	1
23C	14534	RM17-203	Bolt genuine		1
24	14674	RM17-220	Complete bolt genuine		1
31A	80513	RM17-254	Rivet 5x13		1
31C	80724	RM17-256	Rivet 7x24		1



## Notes

---

---

---

---

---

---

---

---

---

---

---

---

---

---

---

---

---

---

---

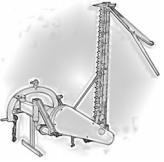
---

---

---

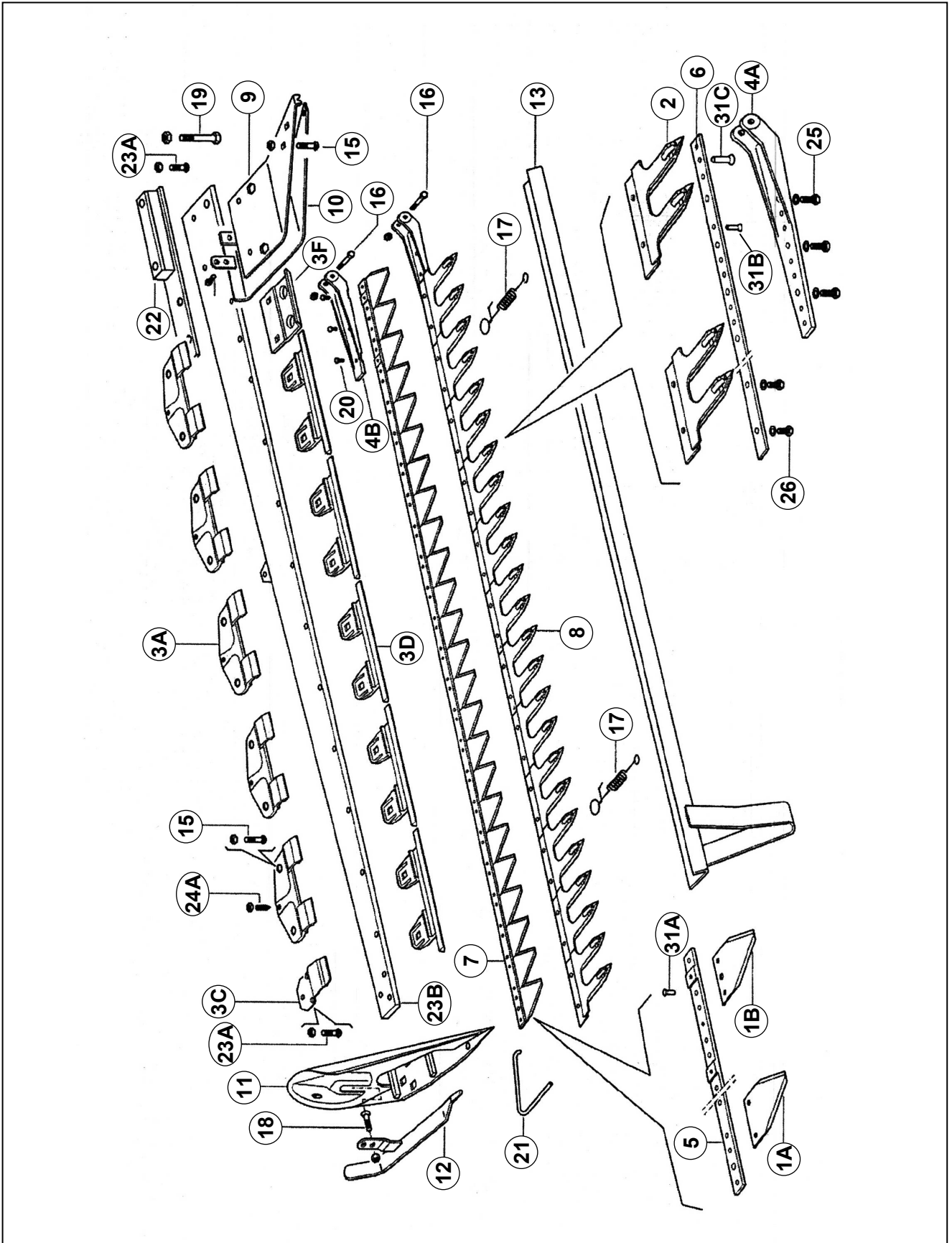
---

---

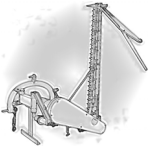


# GRIBALDI & SALVIA – 402

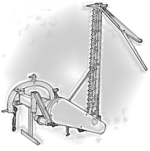
## Barra di Taglio – Cutterbar







Pos.	Orig. Ref.	RIMA Ref.	Description	Application	Pack.
<b>Cutterbar</b>					
01A	14670	RM17-216	Knife section under serrated		25
01B	14672	RM17-218	Knife section under serrated 3 holes		25
02	14089	RM17-240	Bolt-on double finger genuine		1
	14089/1	RM17-240/1	Bolt-on double finger RM		1
03A	14285	RM17-193	Knife clip genuine		1
03C	14319	RM17-197	Knife clip genuine		1
03D	14284	RM17-236	Guide genuine		1
03F	14345	RM17-232	Guide genuine		1
04A	14277/1	RM17-233/1	Knife head RM		1
04B	14294/1	RM17-194/1	Knife head RM		1
05	14532	RM17-214	Knife back 24 sections	1,82mt	5
	14533	RM17-215	Knife back 28 sections	2,12mt	5
06	14802	RM17-241	Knife back 12 fingers	1,82mt	5
	14803	RM17-242	Knife back 14 fingers	2,12mt	5
07	14512	RM17-206	Complete knife 24 sections	1,82mt	1
	14513	RM17-207	Complete knife 28 sections	2,12mt	1
08	14800	RM17-237	Complete knife 12 fingers ORIG.	1,82mt	1
	14800/1	RM17-237/1	Complete knife 12 fingers RM	1,82mt	1
	14801	RM17-238	Complete knife 14 fingers ORIG.	2,12mt	1
	14801/1	RM17-238/1	Complete knife 14 fingers RM	2,12mt	1
09	14291	RM17-235	Inner shoe genuine		1
10	024	RM17-046	Inner slide genuine	1422	1
11	14293	RM17-234	Outer shoe genuine		1
12	8265	RM17-045	Slide genuine		1
13	8229	RM17-188	Protection genuine		1
14	8259	RM17-189	Screw genuine		1
15	8267	RM17-183	Bolt 12x45	093/094 T.N.	1
16	8114	RM17-003	Screw with nut		1
17	2031	RM17-187	Spring genuine		1
18	2014	RM17-186	Bolt genuine		1
19	091	RM17-077	Bolt genuine		1
20	14295	RM17-195	Screw genuine		1
21	14296	RM17-196	Hook genuine		1



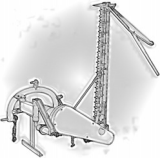
# GRIBALDI & SALVIA - 402



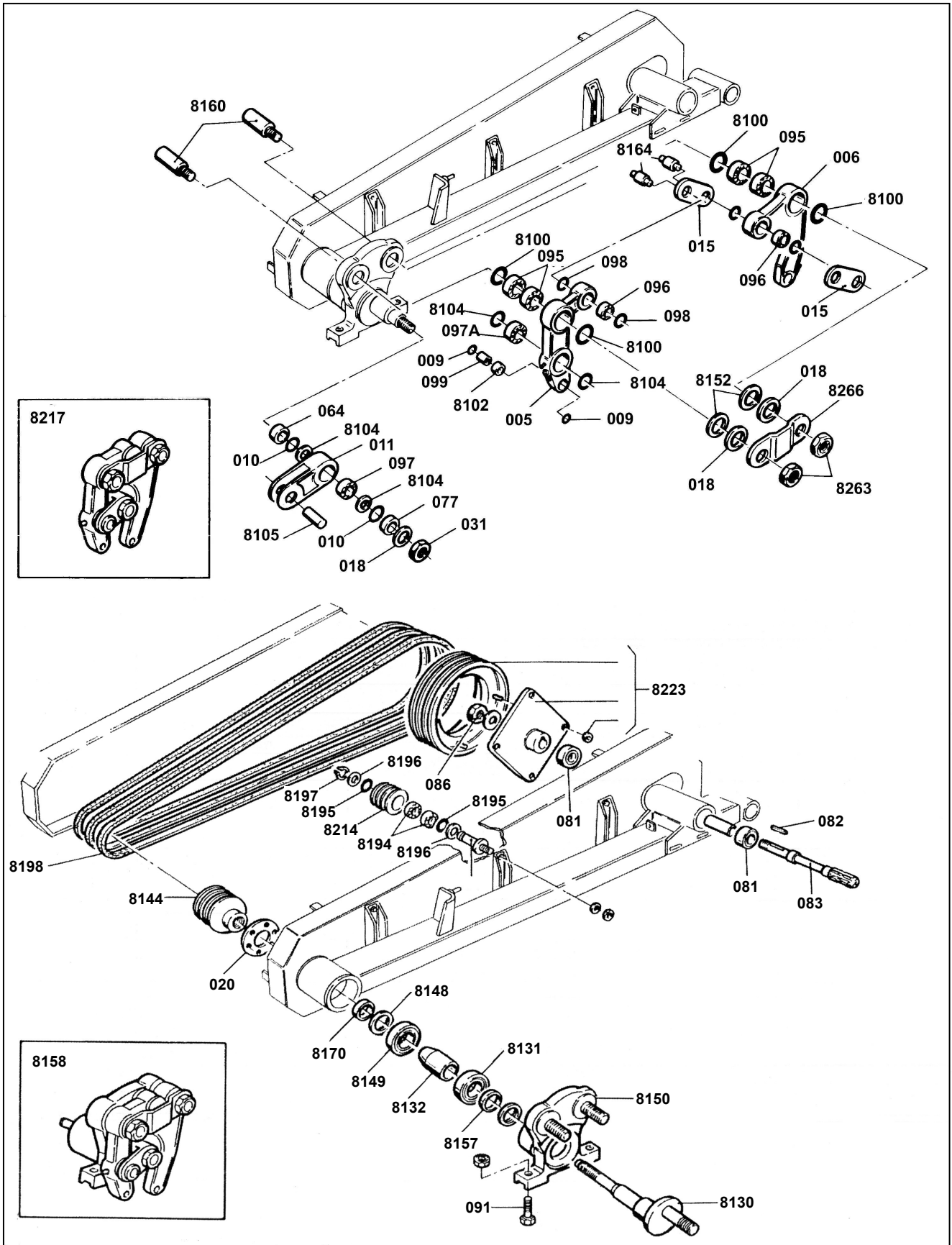
Pos.	Orig. Ref.	RIMA Ref.	Description	Application	Pack.
22	14320	RM17-198	Support genuine		1
23A	14534	RM17-203	Bolt genuine		1
23B	14804	RM17-243	Holding bar genuine	1,82mt	1
	14805	RM17-244	Holding bar genuine	2,12mt	1
24	14674	RM17-220	Screw genuine		1
25	14921	RM17-248	Bolt 8x16 with washer		1
26	14922	RM17-249	Bolt 8x12 with washer		1
31A	80513	RM17-254	Rivet 5x13		1
31B	80520	RM17-255	Rivet 5x20		1
31C	80724	RM17-256	Rivet 7x24		1

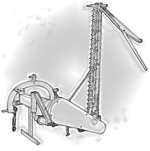






# GRIBALDI & SALVIA – 394, 402, Superior Ricambi Vari – *Various Spare Parts*



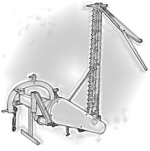


# GRIBALDI & SALVIA

## SUPERIOR, 394, 402



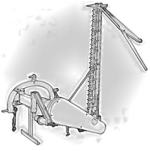
Pos.	Orig. Ref.	RIMA Ref.	Description	Application	Pack.
<b>Various Spare Parts</b>					
005		RM17-053	Lever RH genuine		1
006		RM17-054	Lever LH genuine		1
009		RM17-055	Ring genuine		1
010		RM17-056	Washer genuine		1
011		RM17-057	Central connecting rod genuine		1
015		RM17-058	Wear plate genuine		1
018		RM17-059	Ring genuine		1
020		RM17-060	Flange genuine	26150 dal 22/04/97	1
021		RM17-061	Bushing genuine		1
031		RM17-063	Nut genuine		1
056		RM17-065	Shield fixed side genuine		1
057		RM17-066	Support foot genuine		1
057A		RM17-067	Handle nut genuine		1
057B		RM17-068	Pin genuine		1
064		RM17-069	Spacer genuine		1
072		RM17-070	Pin genuine		1
077		RM17-071	Spacer genuine		1
078		RM17-072	Bolt genuine		1
081		RM17-073	Bearing genuine		1
082		RM17-074	Key genuine		1
083		RM17-075	Shaft genuine		1
086		RM17-076	Nut genuine		1
091		RM17-077	Bolt genuine		1
095		RM17-078	Bearing genuine		1
096		RM17-079	Bearing genuine		1
097		RM17-080	Bearing genuine		1
097A		RM17-081	Bearing genuine		1
098		RM17-082	O ring genuine		1
099		RM17-002	Bushing genuine	1471	1
14337		RM17-001	Bushing	8102	1
70		RM17-040	Bolt for mowing guide genuine	427	1
71		RM17-041	Spring genuine	428	1
8100		RM17-083	O ring genuine		1
8104		RM17-084	O ring genuine		1
8105		RM17-085	Pin genuine		1
8130		RM17-086	Main shaft genuine		1
8131		RM17-087	Bearing genuine		1
8132		RM17-088	Spacer genuine	14132 dal 22/04/97	1
8144		RM17-089	Pulley genuine	14144 dal 22/04/97	1
8148		RM17-090	O' ring genuine	14400 dal 22/04/97	1
8149		RM17-091	Bearing genuine		1



# GRIBALDI & SALVIA SUPERIOR, 394, 402



Pos.	Orig. Ref.	RIMA Ref.	Description	Application	Pack.
	8150	RM17-221	Central frame genuine	14371 dal 22/04/97	1
	8152	RM17-092	Ring genuine		1
	8157	RM17-093	Ring genuine		1
	8158	RM17-222	Complete central frame genuine	14158 dal 22/04/97	1
	8160	RM17-094	Pin genuine		1
	8161	RM17-095	Protection genuine		1
	8164	RM17-096	Pin genuine		1
	8170	RM17-097	Ring genuine		1
	8173	RM17-098	Spring genuine		1
	8177	RM17-223	Frame genuine		1
	8178	RM17-099	Lever genuine		1
	8179	RM17-100	Complete uncoupling genuine		1
	8180	RM17-101	Support pulley genuine		1
	8181	RM17-102	Support genuine		1
	8182	RM17-103	Uncoupling plate genuine		1
	8183	RM17-224	Slide genuine		1
	8184	RM17-104	Roller belt genuine	8187+8195+8196+8194+8214+8196	1
	8185	RM17-105	Bolt genuine		1
	8186	RM17-106	Rack genuine		1
	8187	RM17-107	Pin genuine		1
	8188	RM17-108	Spring genuine		1
	8189	RM17-225	Carter genuine		1
	8191/CPL	RM17-109	Complete pin (8191A + 26183) genuine		1
	8191A	RM17-110	Spacer genuine		1
	8193	RM17-111	Pin genuine		1
	8194	RM17-112	Bearing genuine		1
	8195	RM17-113	O ring genuine		1
	8196	RM17-114	O ring genuine		1
	8197	RM17-115	Seeger genuine		1
	8198	RM17-116	Belt genuine		1
	8199	RM17-117	Damper genuine		1
	8205	RM17-118	Nut genuine		1
	8206	RM17-119	Bolt genuine		1
	8207	RM17-120	Pin genuine		1
	8214	RM17-121	Roller belt genuine		1
	8215	RM17-122	Arm genuine		1
	8216	RM17-123	Lever genuine		1
	8217	RM17-124	Connecting rod group genuine		1
	8221	RM17-125	Washer genuine		1
	8223	RM17-126	Cpl. wheel pulley genuine		1
	8227	RM17-129	Nut genuine		1
	8243	RM17-130	Carter genuine		1
	8244	RM17-131	Carter genuine		1

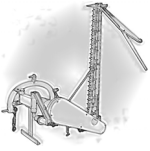


# GRIBALDI & SALVIA SUPERIOR, 394, 402



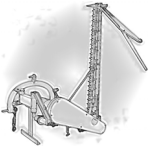
Pos.	Orig. Ref.	RIMA Ref.	Description	Application	Pack.
22	026	RM17-062	Connection genuine		1
30	49/C	RM17-042	Complete stick for mowing guide genuine	26208/C	1
31	080/C	RM17-043	Complete swathboard genuine	1442	1





Pos.	Orig. Ref.	RIMA Ref.	Description	Application	Pack.
<b>Cutterbar</b>					
	21120068	RM53-030	Conical nut	18031322	1
	21120069	RM53-029	Bushing	18031321	1
	21120071	RM53-028	Screw 10x60	18031320	1
	3220101	RM53-072	Rivet 6x19		1
	3220102	RM53-073	Rivet 6x12		1
	58027164	RM53-026	Gasket	10011701	1
<b>01</b>	12880853	RM53-075	Knife section	21120243	25
	13012550		Double knife section		10
	13013540		Double knife section		10
<b>02</b>	088/R		Double guard to screw-on		1
	14922		Screw for double guard		10
	21120268/1	RM53-079	Double finger	12880854	1
	RM53-098		Screw for final guard		10
<b>04</b>	12880847	RM53-071	Knife head (sections)	21120267/MOD	1
	12880848	RM53-077	Knife head	21120259/MOD	1
	21120048	RM53-070	Bushing	12880855	1
	21120267RM		Knife head - sheet steel	12880847	1
	A041-580-01		Knife head		1
	A041-585		Knife head		1
<b>05</b>	12880886	RM53-074C	Knife back 22 sections	1,65 mt.	5
	12880895	RM53-074E	Knife back 36 sections	2,70 mt.	5
	21120245	RM53-074B	Knife back 20 sections	1,30 mt. - 12880877	5
	21120246	RM53-074	Knife back 24 sections	1,80 mt. - 12880849	5
	21120247	RM53-074A	Knife back 28 sections	2,10 mt - 12880850	5
	21120248	RM53-074D	Knife back 32 sections	2,40 mt.- 12880894	5
<b>06</b>	12880852	RM53-078A	Knife back 14 fingers	2,10 mt	5
	12880888	RM53-078C	Knife back 11 fingers	1,65 mt.	5
	12880897	RM53-078E	Knife back 18 fingers	2,70 mt.	5
	12881294		Knife back 18 fingers to screw-on		5
	12881348		Knife back 16 fingers to screw-on		5
	13013300		knife back 12 fingers to screw-on		5
	13013310		knife back 14 fingers to screw-on		5
	21120250	RM53-078B	Knife back 10 fingers	1,30 mt.- 12880978	5
	21120251	RM53-078	Knife back 12 fingers	1,80 mt. - 12880851	5
	21120253	RM53-078D	Knife back 16 fingers	2,40 mt. - 12880896	5
<b>07</b>	12880058		Complete knife 32 sections	2,40 mt.	1
	12880844	RM53-076	Complete knife assy 24 sections	1,80 mt.	1
	12880845	RM53-076A	Complete knife assy 28 sections	2,10 mt	1
	12880857	RM53-076B	Complete knife assy 20 sections	1,30 mt.	1
	12880858	RM53-076D	Complete knife assy 32 sections	2,40 mt.	1

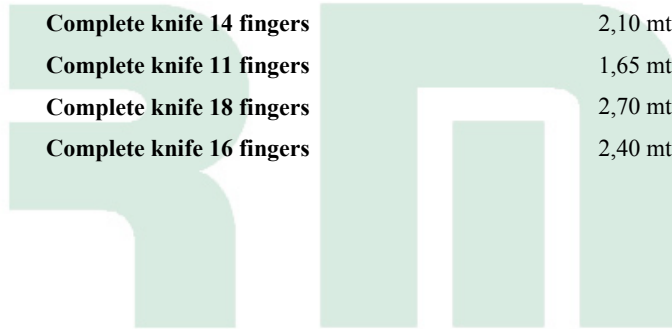


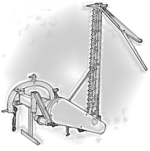


# ENOAGRICOLA ROSSI



Pos.	Orig. Ref.	RIMA Ref.	Description	Application	Pack.
07	12880864		Complete knife assy 18 sections	1,30 mt.	1
	12880884		Complete knife 36 sections	2,70 mt.	1
	12880884	RM53-076E	Complete knife assy 36 sections	2,70 mt.	1
	12880887	RM53-076C	Complete knife assy 22 sections	1,65 mt.	1
	12881346		Complete knife 32 sections	2,40 mt.	1
	12881347		Complete knife 36 sections	2,70 mt.	1
08	12880812		Complete knife assy 14 fingers	21120257/1 (2,10 mt.)	1
	12880842		Complete knife assy 12 fingers	21120256/1 (1,80 mt.)	1
	12880859		Complete knife assy 10 fingers	21120255/1 (1,30 mt.)	1
	12880860		Complete knife assy 16 fingers	21120258/1 (2,40 mt.)	1
	12880863		Complete knife assy 9 fingers	1,30 mt.	1
	12880883		Complete knife assy 18 fingers	2,70 mt.	1
	12880883		Complete knife 18 fingers		1
	12880889		Complete knife assy 11 fingers	1,65 mt.	1
	12880976		Complete knife assy 12 fingers	1,80 mt.	1
	12880977		Complete knife 14 fingers	2,10 mt.	1
	12881289		Complete knife 11 fingers	1,65 mt.	1
	12881295		Complete knife 18 fingers	2,70 mt.	1
	12881297		Complete knife 16 fingers	2,40 mt.	1

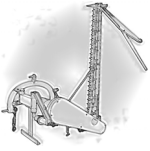




# IMA LA ROCCA BF90-BF99



Pos.	Orig. Ref.	RIMA Ref.	Description	Application	Pack.
<b>Cutterbar</b>					
	20504251001		Wooden bar for conveyor table		1
	24004251024		Reinforced bar 1,65 mt.		1
	24004251025		Reinforced bar 1,80 mt.		1
	24004251026		Reinforced bar 2,10 mt.		1
	27569251001		Left shoe		1
	27569251003		Right shoe		1
	27939251003		Left slide		1
	27939251004		Right slide		1
	28003251001		Conveyor table		1
01	67601251001		Knife section		25
	67601251003		Knife section to screw-on		25
02	088/RR		Double finger - serrated to scew-on	21587251004	1
	69201042087		Screw		10
03	23440251001		Inner guide		1
	26336251001		Knife clip left	BF90	1
	26336251002		Knife clip	BF90-BF99	1
	26336251003		Knife clip right	BF90	1
	26336251004		Knife clip	BF90	1
	26336251010		Knife clip	BF99	1
	26336251011		Knife clip right	BF99	1
	26336251012		Knife clip	BF99	1
04	28089251001		Lower knife head	BF90	1
	28089251002		Upper knife head	BF90	1
	28089251006		Lower knife head	BF99	1
	28089251007		Upper knife head	BF99	1
05	20369251111		Knife back 22 sections		5
	20369251112		Knife back 24 sections		5
	20369251113		Knife back 28 sections		5
06	20369251004		Knife back 11 fingers		5
	20369251005		Knife back 12 fingers		5
	20369251006		Knife back 14 fingers		5
07	34005251004		Complete knife 22 sections rivet-on		1
	34005251004/V		Complete knife 22 sections screw-on		1
	34005251005		Complete knife 24 sections rivet-on		1
	34005251005/V		Complete knife 24 sections screw-on		1
	34005251006		Complete knife 28 sections rivet-on		1
	34005251006/V		Complete knife 28 sections screw-on		1
08	21588251015		Complete knife 11 fingers screw-on		1

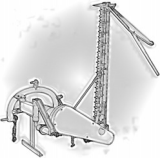


# IMA LA ROCCA BF90-BF99



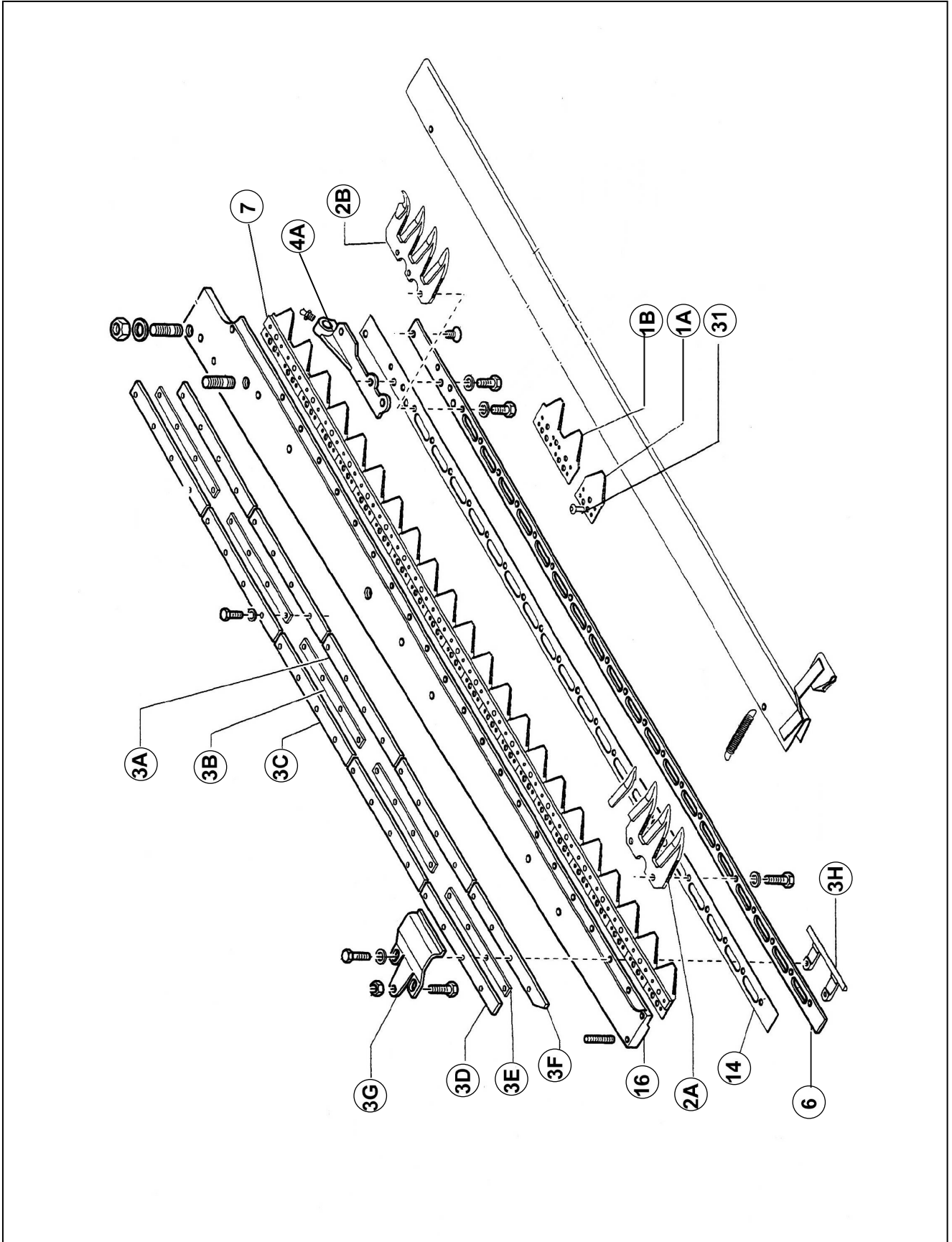
Pos.	Orig. Ref.	RIMA Ref.	Description	Application	Pack.
08	21588251016		Complete knife 12 fingers screw-on		1
	21588251017		Complete knife 14 fingers screw-on		1
	31588251003		Complete knife 10 fingers screw-on		1
	31588251004		Complete knife 11 fingers screw-on		1
	31588251005		Complete knife 12 fingers screw-on		1
	31588251006		Complete knife 14 fingers screw-on		1

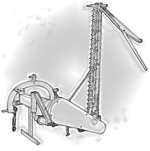




# BCS - DUPLEX

## Barra di Taglio - *Cutterbar*

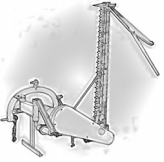




# BCS - DUPLEX

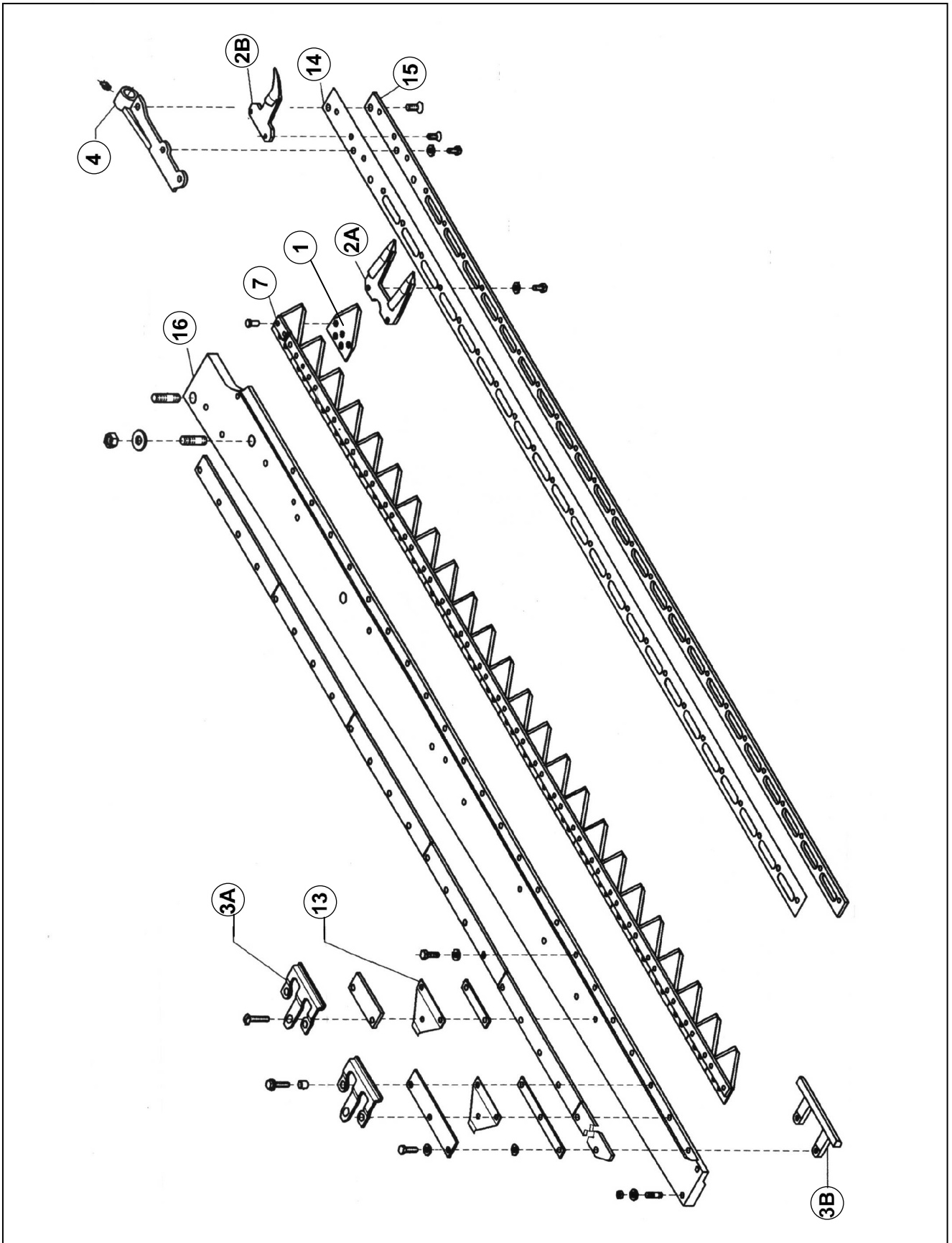


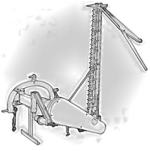
Pos.	Orig. Ref.	RIMA Ref.	Description	Application	Pack.
<b>Cutterbar</b>					
01A	58027096	RM04-203	Knife section		25
01B	27579	RM04-204	Double knife section top serrated	56527120	5
02A	59027859	RM04-224	Triple finger genuine	59028932	1
02B	59027955	RM04-225	First triple finger genuine		1
03A	56327169	RM04-211	Lower blade guide genuine		2
03B	56127172	RM04-212	Knife clip genuine		5
03C	56327168	RM04-213	Upper guide genuine		2
03D	56327713	RM04-214	Upper lateral guide genuine		1
03E	56127724	RM04-215	Short central plate genuine		2
03F	56327712	RM04-216	Lower blade guide genuine		1
03G	56327129	RM04-223	Knife clip		5
03H	52127125	RM04-226	Lower guide genuine	52158589	5
04A	52527882	RM04-234	Knife head genuine		1
04B	52427126	RM04-355	Knife head genuine		1
05	58027114	RM04-252	Knife back 24 sections	1,82mt	5
	58027116	RM04-251	Knife back 22 sections	1,67mt	5
	58027118	RM04-253	Knife back 28 sections	2,12mt	5
06	56328220	RM04-205	Knife back genuine	1,67mt - 56327897	5
	56328221	RM04-206	Knife back genuine	1,82mt - 56327895	5
	56328222	RM04-207	Knife back genuine	2,12mt - 56327896	5
07	58027091	RM04-208	Complete knife 22 sections	1,67mt	1
	58027092	RM04-209	Complete knife 24 sections	1,82mt	1
	58027093	RM04-210	Complete knife 28 sections	2,12mt	1
14	56328230	RM04-217	Wearing strip 22 sections genuine	1,67mt - 56327893	1
	56328231	RM04-218	Wearing strip 24 sections genuine	1,82mt - 56327885	1
	56328232	RM04-219	Wearing strip 28 sections genuine	2,12mt - 56327887	1
16	56327850	RM04-222	Holding bar 28 sections genuine	2,12mt - 56328202	1
	56327892	RM04-220	Holding bar 22 sections genuine	1,67mt - 56328200	1
	56327894	RM04-221	Holding bar 24 sections genuine	1,82mt - 56328201	1
31	33112530	RM04-336	Rivet 5,3x14		2



# BCS – DUPLEX GOLD

## Barra di Taglio - *Cutterbar*

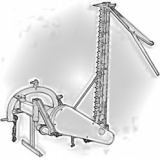




# BCS - DUPLEX GOLD

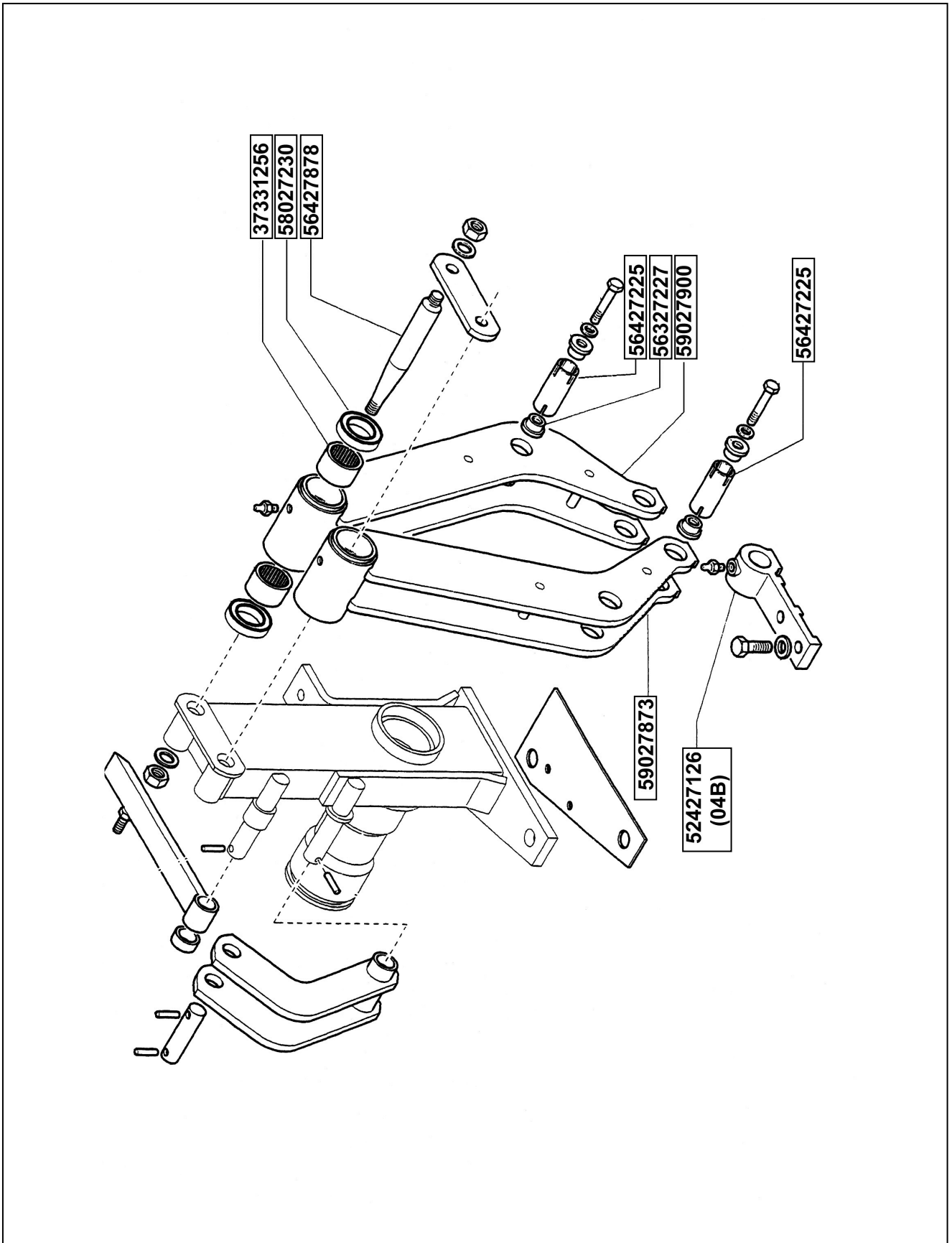


Pos.	Orig. Ref.	RIMA Ref.	Description	Application	Pack.
<b>Cutterbar</b>					
01	58028096	RM04-256	Knife section		25
02A	59028930	RM04-275	Double finger genuine		1
	59028932	RM04-349	Triple finger OR		1
02B	59028692	RM04-262	Single finger genuine	59028934	1
03A	56528756	RM04-276	Knife clip genuine		2
03B	52158589	RM04-258	Lower knife clip genuine		2
04A	52428706	RM04-257	Knife head genuine		1
	52428729	RM04-356	Knife head XL genuine	2,12mt, 242mt	1
	59028934	RM04-350	Knife head OR		1
04B	52427126	RM04-355	Knife head genuine		1
05	RM04-351		Knife back 22 sections	1,67mt	5
	RM04-352		Knife back 24 sections	1,82mt	5
	RM04-353		Knife back 28 sections	2,12mt	5
07	58028910	RM04-265	Cpl. knife 24 sections	1,82mt	1
	58028911	RM04-264	Cpl. knife 22 sections	1,68mt	1
	58028912	RM04-266	Cpl. knife 28 sections	2,12mt	1
	58028914	RM04-357	Cpl. knife 32 sections	2,42mt	1
13	56328757	RM04-277	Spring genuine		5
14	56328731	RM04-259	Wearing strip 22 sections genuine	1,68mt	1
	56328732	RM04-260	Wearing strip 24 sections genuine	1,82mt	1
	56328733	RM04-261	Wearing strip 28 sections genuine	2,12mt	1
	56328734	RM04-358	Wearing strip 32 sections genuine	2,42mt	1
15	56328700	RM04-267	Knife back 11 fingers genuine	1,68mt	1
	56328701	RM04-268	Knife back 12 fingers genuine	1,82mt	1
	56328703	RM04-269	Knife back 14 fingers genuine	2,12mt	1
	56328704	RM04-359	Knife back 16 fingers genuine	2,42mt	1
16	56328903	RM04-278	Bar 22 sections genuine	1,68mt - 56328907	1
	56328904	RM04-279	Bar 24 sections genuine	1,82mt - 56328908	1
	56328905	RM04-280	Bar 28 sections genuine	2,12mt - 56328909	1
	56328906	RM04-360	Bar 32 sections genuine	2,42mt - 56328898	1

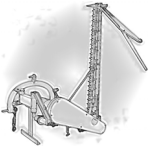


# BCS – DUPLEX e DUPLEX GOLD

## Ricambi Vari – *Various Spare Parts*





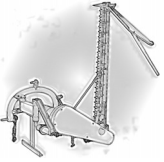


# BCS - DUPLEX & GOLD



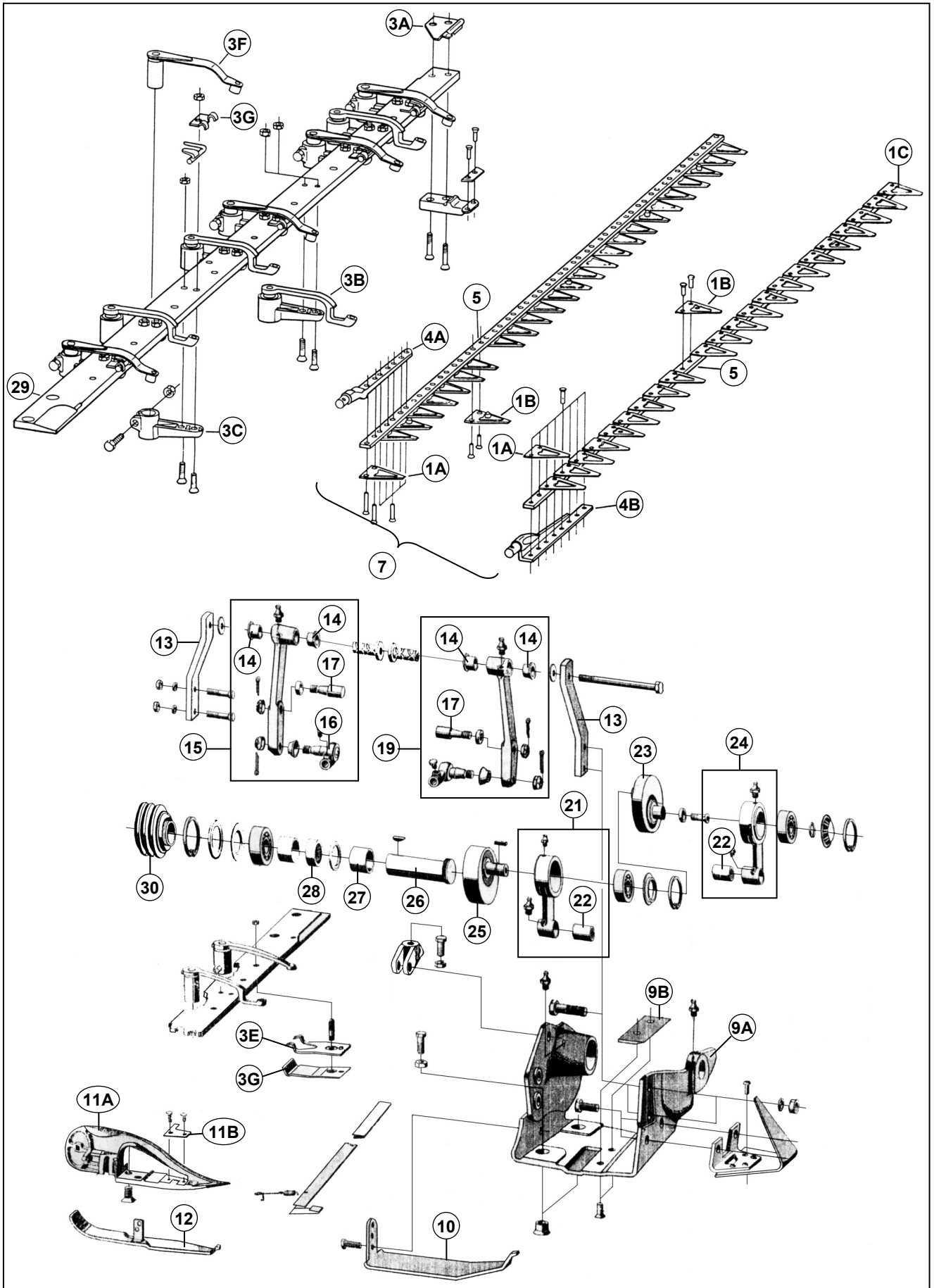
Pos.	Orig. Ref.	RIMA Ref.	Description	Application	Pack.
<b>Various Spare Parts</b>					
	37331256	RM04-231	Bearing genuine		1
	56327226	RM04-273	Nut D17 M8 genuine		5
	56327227	RM04-274	Cone genuine		5
	56427225	RM04-232	Pin D-20		5
	56427878	RM04-229	Pin genuine		1
	58027230	RM04-230	Seal ring genuine		2
	58027385	RM04-233	Spring genuine		1
	59027873	RM04-227	Knife arm genuine		1
	59027900	RM04-228	Knife arm genuine		1

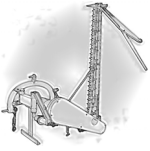




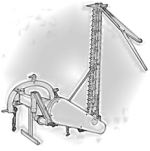
# BUSATIS

## Barra di Taglio – Cutterbar





Pos.	Orig. Ref.	RIMA Ref.	Description	Application	Pack.
<b>Cutterbar</b>					
01A	580200901-OR	RM08-001	Knife section smooth	3441511/GB2730	25
01B	580201101-OR	RM08-002	Knife section smooth with pivot	3441551/GB2732	10
01C	580200501	RM08-003	Ending knife section	3444001/GB2632	1
03A	384008001	RM08-028	Knife clip	3321320	1
03B	384007597	RM08-029	Lower knife clip	2671380-07597-B60	1
03C	384009091	RM08-029A	Complete support	2720450	1
03E	384007491	RM08-030A	Lower spring	2672800-384007401	1
03F	384006297	RM08-031	Upper knife clip	2671350-06297-B57	1
03G	384007191	RM08-031A	Upper spring	2672700	1
04A	584005201	RM08-007	Upper knife head	3450690/GB2741	1
04B	584005301	RM08-008	Lower knife head	3450700/GB2742	1
05	546705541	RM08-004	Upper knife back 20 sections	1,50mt	1
	546705552	RM08-047	Upper knife back 22 sections	1,70mt	1
	546705561	RM08-052	Upper knife back 25 sections	1,90mt	1
	546705571	RM08-058	Upper knife back 30 sections	2,25mt	1
	547705501	RM08-062	Lower knife back 23 sections	1,70mt	1
	547705541	RM08-005	Lower knife back 21 sections	1,50mt	1
	547705561	RM08-063	Lower knife back 26 sections	1,90mt	1
	547705571	RM08-068	Lower knife back 31 sections	2,25mt	1
07	5460/70-05541	RM08-006	Knives couple 20/21 sections	1,50mt	1
	5460/70-05551	RM08-095	Knives couple 22/23 sections	1,70mt	1
	5460/70-05563	RM08-096	Knives couple 25/26 sections	1,90mt	1
	5460/70-05571	RM08-097	Knives couple 30/31 sections	2,25mt	1
09A	380005091	RM08-024	Complete inner shoe	2011320	1
	380014191	RM08-054	Inner shoe	2011740	1
09B	380020106	RM08-025	Guide	3212670	1
10	380014793	RM08-055	Slide for inner shoe	2381390	1
	380032801	RM08-026	Inner slide		1
11A	381001391	RM08-032	Outer shoe	2010350	1
11B	381023011	RM08-033	Wearing plate	3212490	1
12	381021091	RM08-034	Outer slide	2381260	1
13	191223202	RM08-010A	Lever	3643920	1
14	642000701	RM08-009	Bushing	3242900	1
15	191223003	RM08-010	Complete arm	2671960	1

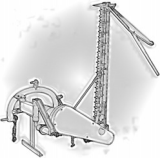


# BUSATIS



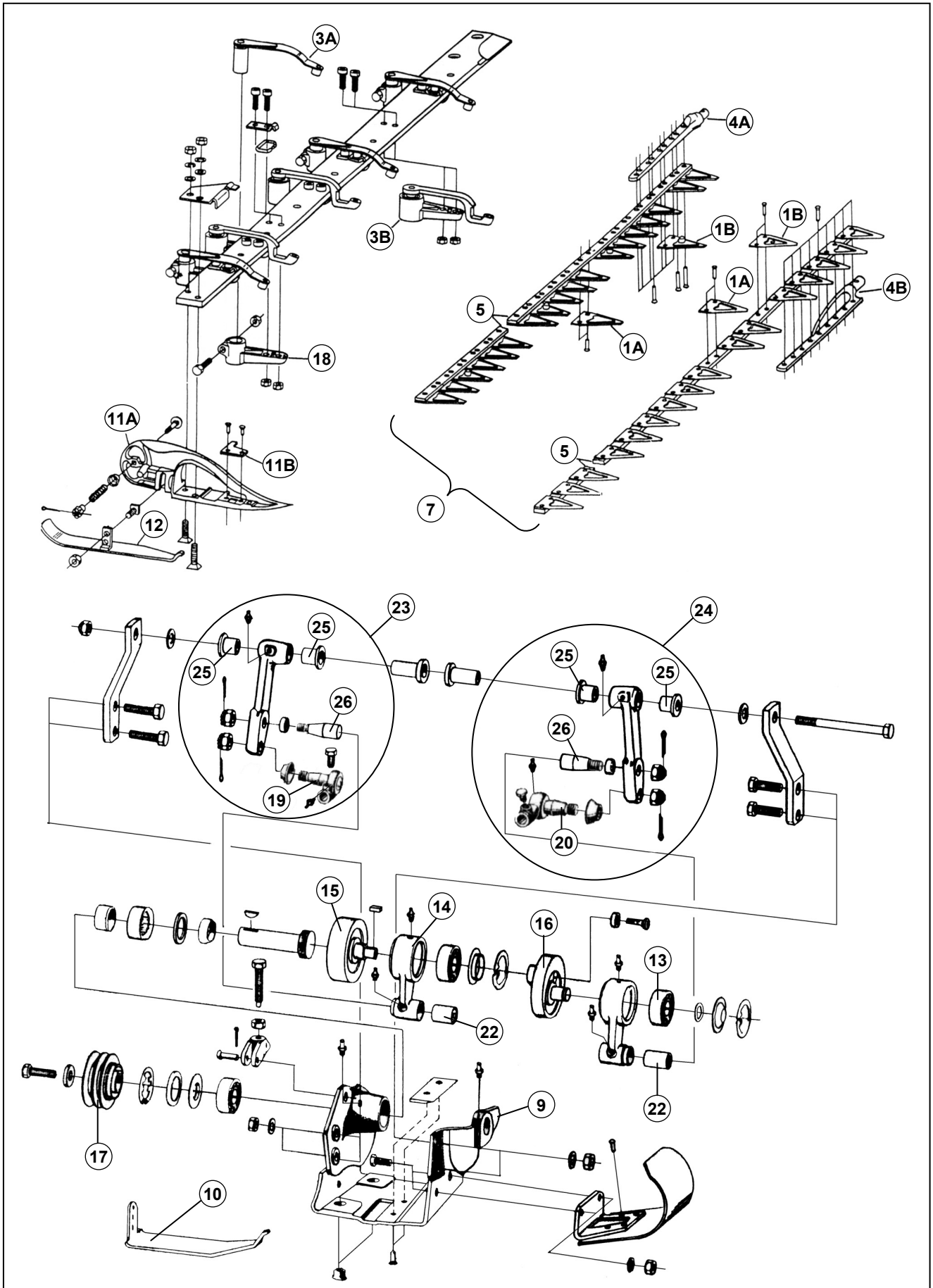
Pos.	Orig. Ref.	RIMA Ref.	Description	Application	Pack.
16	644000131	RM08-011	Lower tie rod	2890070	1
17	191123494	RM08-012	Complete pin	2670670	1
18	191126903	RM08-013	Excentric pin	3230830	1
19	191224003	RM08-014	Complete arm	2672010	1
20	644000122	RM08-015	Upper tie rod	2890080	1
21	191220302	RM08-016	Complete connecting rod	2810100	1
22	641025001	RM08-017	Bushing	5901900	1
23	191221401	RM08-018	Wheel	3352150	1
24	191220301	RM08-019	Complete connecting rod	2810090	1
25	191221301	RM08-020	Wheel	3370620	1
26	191220002	RM08-021	Shaft	3000670	1
27	641010401	RM08-022	Bushing	5902270	1
28	641000501	RM08-023	Bearing	5903400	1
29	346605042	RM08-027	Holding bar	1,50mt - 2100070	1
	346605051	RM08-098	Holding bar	1,70mt - 2100080	1
	346605062	RM08-099	Holding bar	1,90mt - 2100100	1
	346605572	RM08-100	Holding bar	2,25mt - 2100130	1
30	110270202	RM08-035	Pulley		1

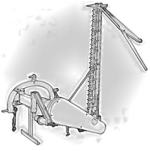




# BUSATIS – BIDUX

## Barra di Taglio – *Cutterbar*

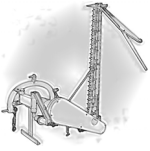




# BUSATIS - BIDUX



Pos.	Orig. Ref.	RIMA Ref.	Description	Application	Pack.
<b>Cutterbar</b>					
01A	580205301-OR	RM08-036	Knife section smooth	3440951	25
01B	580205491-OR	RM08-037	Knife section smooth with pin	3440961	10
03A	384026291	RM08-056	Upper knife clip	2671270	1
03B	384007791	RM08-030	Lower knife clip	2671390	1
	384027481	RM08-057	Lower knife clip + support 384019104	2671360	1
04A	584004001	RM08-041	Upper knife head	3450550	1
04B	584005501	RM08-042	Lower knife head	3450770	1
05	546750055	RM08-038	Upper knife back 24 sections	1,70mt	1
	546750065	RM08-101	Upper knife back 27 sections	1,90mt	1
	546750075	RM08-102	Upper knife back 30 sections	2,10mt	1
	547750051	RM08-039	Lower knife back 21 sections	1,70mt	1
	547750071	RM08-103	Lower knife back 24 sections	1,90mt	1
	547750072	RM08-104	Lower knife back 26 sections	2,10mt	1
07	5460/70-50055	RM08-040	Knives couple 21/24 sections	1,70mt	1
	5460/70-50065	RM08-105	Knives couple 24/27 sections	1,90mt	1
	5460/70-50075	RM08-106	Knives couple 26/30 sections	2,10mt	1
	RM08-109		Knives couple 28/32 sections	2,30mt	1
09	380005091	RM08-024	Complete inner shoe	2011320	1
	380014191	RM08-054	Inner shoe	2011740	1
10	380014793	RM08-055	Slide for inner shoe	2381390	1
11A	381001393	RM08-060	Outer shoe	2010370	1
11B	381023012	RM08-061	Wearing plate	3212500	1
12	381021091	RM08-034	Outer slide	2381260	1
13	191121195	RM08-048	Connecting rod	2870430	1
14	191122295	RM08-050	Connecting rod	2870520	1
15	191221307	RM08-051	Wheel	3370650	1
16	191221402	RM08-049	Wheel	3352160	1
17	191220104	RM08-053	Pulley	3370260	1
18	384019094	RM08-059	Support	2720150-384019084	1
19	644000195	RM08-045	Lower tie rod	2890100	1
20	644000194	RM08-046	Upper tie rod	2890090	1
22	641025001	RM08-017	Bushing	5901900	1
23	191225097	RM08-043	Complete back arm	2671650	1



# BUSATIS - BIDUX



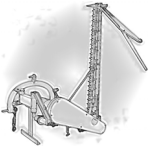
Pos.	Orig. Ref.	RIMA Ref.	Description	Application	Pack.
24	191225197	RM08-044	Complete front arm	2671880	1
25	642000701	RM08-009	Bushing	3242900	1
26	191123494	RM08-012	Complete pin	2670670	1

## Various Spare Parts

	191220002	RM08-021	Shaft	3000670	1
	641010401	RM08-022	Bushing	5902270	1



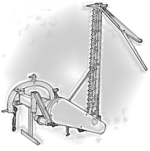




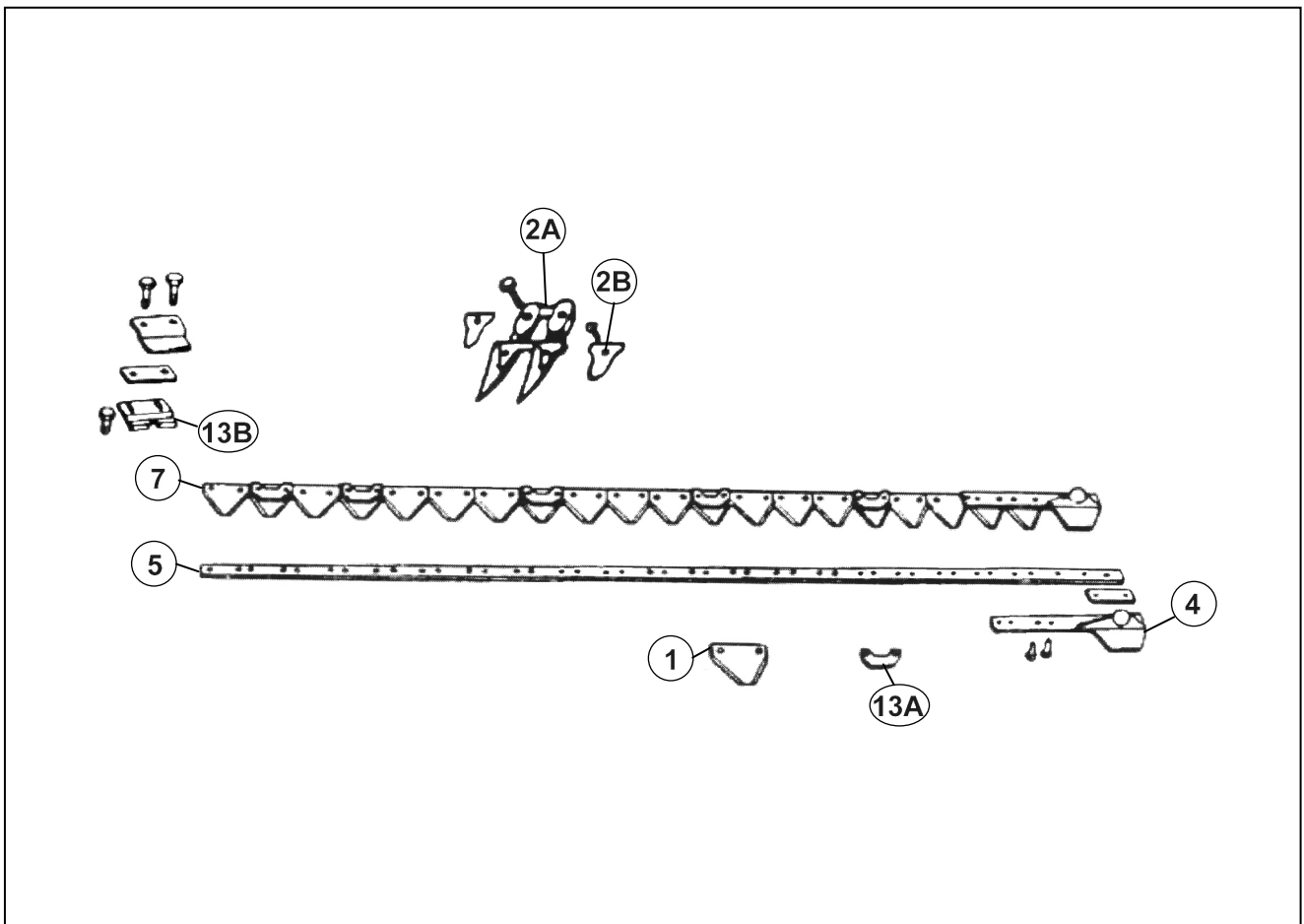
# BUSATIS - APPLICAZIONI DIVERSE



Pos.	Orig. Ref.	RIMA Ref.	Description	Application	Pack.
<b>Cutterbar</b>					
	191225094	RM08-069	Complete arm	2671730	1
	191225194	RM08-070	Complete arm	2671860	1
	191321601	RM08-071	Conjunction flange	3353240	1
	191321801	RM08-072	Shaft	3000730	1
	384019094	RM08-059	Complete support	2720150	1
	644000192	RM08-087	Tie rod	2890070	1
	644000193	RM08-110	Tie rod	2890080	1
03	384007598	RM08-074	Lower knife clip	2671400	1
	384026291	RM08-056	Upper knife clip	2671270	1
	384027481	RM08-057	Lower knife clip	2671360	1
04	584003406	RM08-077	Upper knife head	584004007	1
	584005308	RM08-079	Knife head	3450730	1
	584005312	RM08-078	Lower knife head	3450740	1
05	556709161	RM08-075	Upper knife back 31 sections		1
	556709171	RM08-107	Upper knife back 37 sections		1
06	557709161	RM08-076	Lower knife back 31 sections		1
	557709171	RM08-108	Lower knife back 37 sections		1
07	5560/70-08363	RM08-064	Knives couple 26 sections	1,90mt	1
	5560/70-09161	RM08-065	Knives couple 31 sections	1,90mt	1
	5560/70-11371	RM08-066	Knives couple 37 sections	2,25mt	1
09	380004791	RM08-073	Complete inner shoe	2011200	1



Pos.	Orig. Ref.	RIMA Ref.	Description	Application	Pack.
<b>Cutterbar</b>					
	443006/1	RM22-222	Plate	L32	1
01	443003	RM22-219	Knife section	242S	25
02A	443007	RM22-221	Double finger	LS634	1
02B	443001	RM22-217	Wearing plate	LS636	25
04	4041060	RM22-216	Knife head	LF47	1
05	3134743	RM22-223	Knife back 18 sections	LF2	5
	3174744	RM22-224	Knife back 20 sections	LF2C	5
07	4063958	RM22-230	Complete knife assy 18 sect. LF47	LF43	1
	4063959	RM22-232	Complete knife assy 20 sect. LF47	LF43C	1
13A	3023363	RM22-201	Cleaning plate	LF41	1
13B	40617	RM22-202	Wearing plate	L517	1
	443005	RM22-220	Wearing plate	LS637	1





# FMC SANDEI

Pos.	Orig. Ref.	RIMA Ref.	Description	Application	Pack.
<b>Cutterbar</b>					
01	DC6000	RM52-006	Double knife section		25
	DIN300R	RM52-007	Knife section		25
04	81011-4	RM52-008	Knife head		1
	95049	RM52-009	Knife head - holes M8		1
05	RM52-005A		Knife back 25x8 - 19 sections DIN300R		5
	RM52-005B		Knife back 25x8 - 20 sections DC6000		5
07	95046	RM52-003	Cpl. knife 18 double knife sect. DC6000UV	1 testa ribadita + 1 avvitata	1
	95047	RM52-004	Cpl. knife 18 sect. DIN300/2,7	1 testa ribadita + 1 avvitata	1
	RM52-001		Cpl. knife 19 double knife sect. DC6000UV		1
	RM52-002		Cpl. knife 19 knife sect. DIN300/2,7mm		1
	RM52-039		Cpl. Knife 22 double sections DC6000	R0512	1

## FONTANESI / GIACCAGLIA

Pos.	Orig. Ref.	RIMA Ref.	Description	Application	Pack.
<b>Cutterbar</b>					
04	RM52-010		Upper knife head		1
	RM52-011		Lower knife head		1
07	RM52-013		Cpl. knife 24 sections		1
	RM52-035		Cpl. knife 18 sections		1
08	RM52-012		Cpl. knife 12 fingers		1
	RM52-036		Cpl. knife 9 fingers		1



## SARZOLA - TAGLIABALLONI

Pos.	Orig. Ref.	RIMA Ref.	Description	Application	Pack.
<b>Cutterbar</b>					
01	206236/2,7 UV	RM52-021	Knife section		25
07	RM52-014		Cpl. knife 25 sect.206236/2,7mm	cono sulla 4a sez. da sx	1
	RM52-015		Cpl. knife 32 sect.206236/2,7mm	cono sulla 4a sez. da sx	1
	RM52-016		Cpl. knife 32 sect.206236/2,7mm	cono sulla 3a sez. da dx	1

## CAMPADELLI - TAGLIABALLONI

Pos.	Orig. Ref.	RIMA Ref.	Description	Application	Pack.
<b>Cutterbar</b>					
01	D2001R-UV	RM52-017	Knife section		25
04	RM52-020		Knife head		1
07	1008/02	RM52-018	Cpl. knife 44 sections	cono sulla 3a sez. da dx	1
	1009/02	RM52-019	Cpl. knife 36 sections	cono sulla 3a sez. da dx	1

## OSCARICAMBI - TAGLIABALLONI

Pos.	Orig. Ref.	RIMA Ref.	Description	Application	Pack.
<b>Cutterbar</b>					
01	P87133	RM52-024	Knife section		25
04	RM52-025A		Knife head for RM52-023		1
	RM52-025B		Knife head for RM52-022		1
07	1006/02	RM52-023	Cpl. knife 24 sections		1
	1007/02	RM52-022	Cpl. knife 31 sections		1

## PEDROTTI - TAGLIABALLONI

Pos.	Orig. Ref.	RIMA Ref.	Description	Application	Pack.
<b>Cutterbar</b>					
01	206236/2,0 UV	RM52-028	Knife section		25
04	RM52-029		Knife head		1
07	RM52-026		Cpl. knife 22 sections with head		1
	RM52-027		Cpl. knife 25 sections with head		1