



MOTOFALCIATRICI

MOTOR *MOWERS*





AEBI



Pos.	Orig. Ref.	RIMA Ref.	Description	Application	Pack.
Cutterbar					
01	DIN75R	RM13-002	Serrated knife section 2mm		25
	DIN80R	RM13-001	Serrated knife section		25
02	A34	RM13-028	Plate		1
	AM22518/1	RM13-019	Double finger		1
	AM22518/1/1	RM13-019/1	Double finger		1
	AM24071/1	RM13-050	Double finger Mulching		1
	AM8859/4	RM13-045	Double finger		1
	AM8859/4/1	RM13-045/1	Double finger		1
	03	AM1247	RM13-023	Plate	
04	AM6/1	RM13-005	Knife head		1
	AM8880/1	RM13-006	Knife head		1
05	AM390/2	RM13-026	Knife back 1,45		5
	RM32-013		Knife back 1, 60	AM18/1	5
07	AM126/10	RM13-010	Cpl. knife 25 sections	DIS. 4	1
	AM18/10	RM13-009	Cpl. knife 21 sections	DIS. 3	1
	AM20991/18	RM13-035	Cpl. knife 25 sections	DIS. 22	1
	AM21981/18	RM13-017	Cpl. knife 25 sections	DIS. 23	1
	AM22820/18	RM13-036	Cpl. knife 25 sections	DIS. 13	1
	AM23533/18	RM13-018	Cpl. knife 25 sections	DIS. 14	1
	AM23534/18	RM13-039	Cpl. knife 25 sections	DIS. 15	1
	AM23535/13	RM13-040	Cpl. knife 25 sections	DIS. 8A	1
	AM23537/13	RM13-032	Cpl. knife 21 sections	DIS. 7A	1
	AM24279/13	RM13-029	Cpl. knife 19 sections	DIS. 7B	1
	AM24282/13	RM13-031	Cpl. knife 19 sections	DIS. 6A	1
	AM26285/1	RM13-041	Cpl. knife 29 sections	DIS. 16E	1
	AM27141/1	RM13-033	Cpl. knife 23 sections	DIS. 16C	1
	AM28289/1	RM13-038	Cpl. knife 25 sections	DIS. 16D	1
	AM28294/1	RM13-030	Cpl. knife 21 sections	DIS. 16B	1
	AM28464/1	RM13-042	Cpl. knife 33 sections	DIS. 16F	1
	AM390/10	RM13-008	Cpl. knife 19 sections	DIS. 2	1
	AM4452/9	RM13-007	Complete knife 17 sections	DIS. 1	1
	AM46009/1	RM13-046	Cpl. knife 19 sections		1
	AM46099/1	RM13-047	Cpl. knife 19 sections		1
	AM8884/13	RM13-014	Cpl. knife 25 sections	DIS. 8	1
	AM9051/18	RM13-037	Cpl. knife 25 sections	DIS. 24	1
	AM9509/13	RM13-034	Cpl. knife 25 sections	DIS. 21	1
AM9970/13	RM13-013	Cpl. knife 21 sections	DIS. 7	1	
AM9972/13	RM13-012	Cpl. knife 19 sections	DIS. 6	1	



AEBI



Pos.	Orig. Ref.	RIMA Ref.	Description	Application	Pack.
07	AM9985/13	RM13-011	Cpl. knife 17 sections	DIS. 5	1
	RM13-049		Cpl. knife 17 sections		1
08	AM1197	RM13-024	Plate		1
	G319	RM13-003	Cleaning plate		1



AGRIA

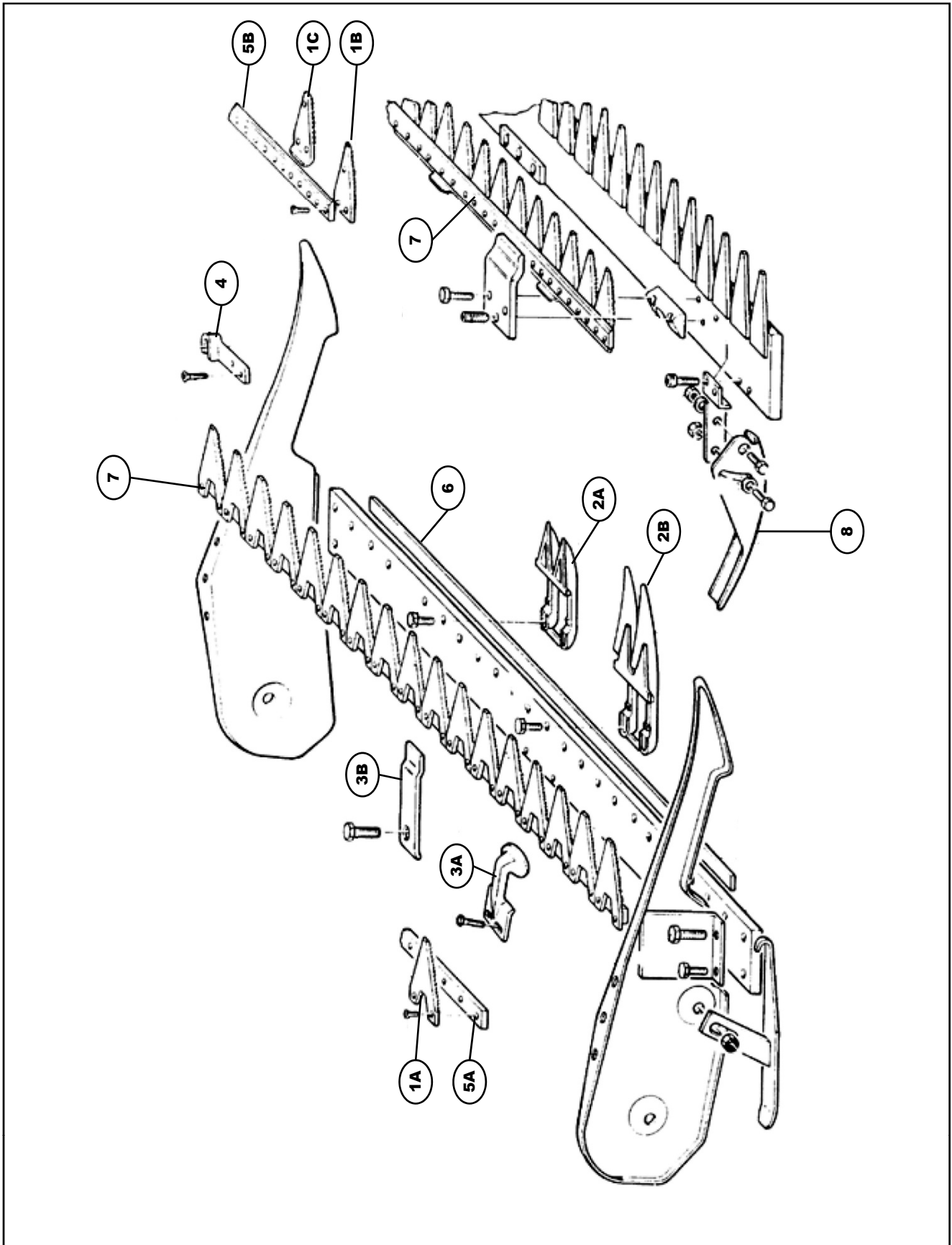


Pos.	Orig. Ref.	RIMA Ref.	Description	Application	Pack.
Cutterbar					
01	3440091		Knife section		25
	3441221		Knife section		25
	3441231		Double knife section ORIGINAL	3441221	25
	DIN75R		Serrated knife section 2mm		25
02	3310300	RM33-001	DOUBLE FINGER		1
	600128/1	RM33-016	DOUBLE FINGER		1
03	2670100	RM33-003	KNIFE CLIP		1
	2670840	RM33-002	KNIFE CLIP		1
07	2510190	RM33-004	CPL KNIFE ASSY 117/23 SECT.	Kommunal	1
	2510190/R	RM33-007	CPL KNIFE ASSY 117/23 SECT.	Kommunal	1
	2510200	RM33-005	CPL KNIFE ASSY 137/27 SECT.	Kommunal	1
	2510200/R	RM33-008	CPL KNIFE ASSY 137/27 SECT.	Kommunal	1
	2510210	RM33-006	CPL KNIFE ASSY 148/29 SECT.	Kommunal	1
	2510210/R	RM33-009	CPL KNIFE ASSY 148/29 SECT.	Kommunal	1
	2510230/R	RM33-010	CPL KNIFE ASSY 168/33 SECT.	Kommunal	1
	2590650	RM33-011	CPL KNIFE ASSY 17 SECT.	5500	1
	2590660	RM33-012	CPL KNIFE ASSY 19 SECT.	5500	1
	2590670	RM33-013	CPL KNIFE ASSY 21 SECT.	5500	1
2590700	RM33-014	CPL KNIFE ASSY 21 SECT.		1	
2590710	RM33-015	CPL KNIFE ASSY 25 SECT.		1	
2590730	RM33-017	CPL KNIFE ASSY 21 SECT.		1	
08	G319		Cleaning plate		1



BARBIERI

Barra di Taglio - *Cutterbar*



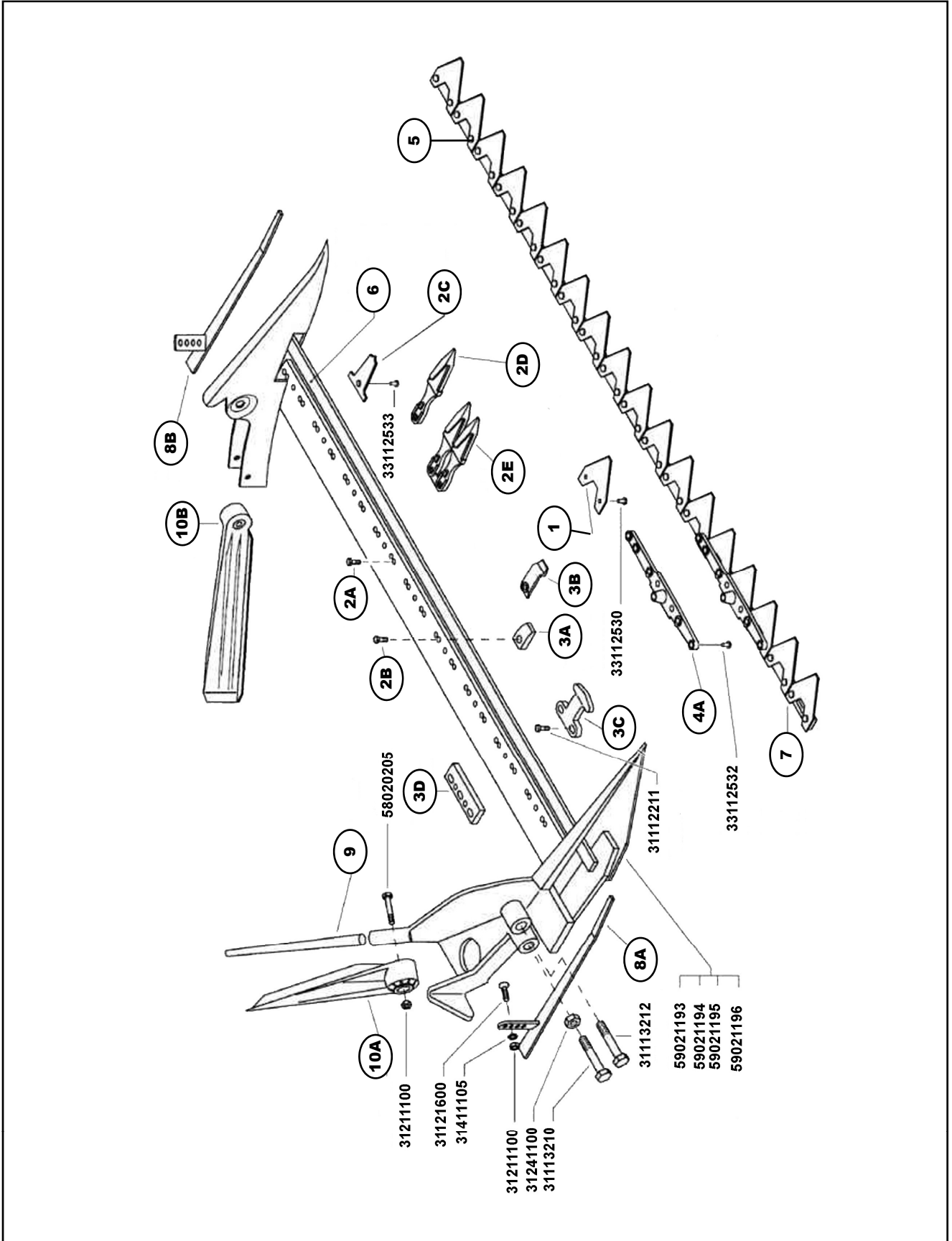


Pos.	Orig. Ref.	RIMA Ref.	Description	Application	Pack.
Cutterbar					
01A	2466	RM03-001	Knife section serrated		25
01B	D2001R	RM03-002	Knife section serrated	15132	25
01C	GB543		Knife section		1
02A	20207/1	RM03-012	Double finger "Mulching"		1
02B	27624/1	RM03-011	Double finger	15140	1
03	2828	RM03-007	Knife clip	12295	1
03A	12296	RM03-006	Knife clip	15041	1
03B	12314	RM03-005	Simple knife clip	15125	1
04	203317	RM03-013	Lateral knife head	15144	1
05A	15123	RM03-014	Knife back 17 sections 3"		5
	15146	RM03-015	Knife back 11 sections 3"		5
	RM03-016		Knife back 13 sections 3"		5
05B	15130	RM03-021	Knife back 25 sections 2"		5
	48910	RM03-020	Knife back 23 sections 2"		5
	RM03-017	RM03-017	Knife back 13 sections 2"		5
	RM03-018	RM03-018	Knife back 17 sections 2"		5
	RM03-019	RM03-019	Knife back 19 sections 2"		5
06	15141	RM03-022	Consumer streak mm. 700		1
	15149	RM03-024	Consumer streak mm. 900		1
	15154	RM03-023	Consumer streak mm. 800		1
	RM03-025	RM03-025	Consumer streak mm. 1200		1
	RM03-026	RM03-026	Consumer streak mm. 1300		1
07	RM03-027	RM03-027	Complete knife assy 11 sect. serrated 3"		1
	RM03-028	RM03-028	Complete knife assy 13 sect. serrated 3"		1
	RM03-029	RM03-029	Complete knife assy 17 sect. serrated 3"		1
	RM03-030	RM03-030	Complete knife assy 13 sect. serrated 2"		1
	RM03-031	RM03-031	Complete knife assy 17 sect. serrated 2"		1
	RM03-032	RM03-032	Complete knife assy 19 sect. serrated 2"		1
	RM03-033	RM03-033	Complete knife assy 23 sect. serrated 2"		1
	RM03-034	RM03-034	Complete knife assy 25 sect. serrated 2"		1
08	58046677	RM03-010	Left slide	15196	1



BCS TRADIZIONALE

Barra di Taglio - *Cutterbar*





BCS TRADIZIONALE



Pos.	Orig. Ref.	RIMA Ref.	Description	Application	Pack.
Cutterbar					
01	2466	RM04-011	Knife section serrated		25
	2466/3	RM04-012	Knife section serrated 3,0 mm.		25
	27785	RM04-101	Knife section 75 mm. under flared		25
02A	106	RM04-001	Screw 10x25	31112219	1
02B	107	RM04-002	Screw 10x30	31112211	1
02C	2355	RM04-007	Wearing plate		1
	2477	RM04-014	Wearing plate		1
	27630	RM04-049	Wear plate		1
02D	27601	RM04-104	Simple finger - new type		1
02E	27622	RM04-045	Finger		1
	27622/1	RM04-045/1	Finger		1
	27624	RM04-047	Finger		1
	27624/1	RM04-047/1	Finger		1
	27626	RM04-048	Finger		1
	27628	RM04-046	Finger without Wearing plate		1
03	27602	RM04-107	High Knife clip	27619	1
	27603	RM04-108	Knife clip	sostituito da 27620	1
	27620	RM04-115	Knife clip	ex 56327603	1
	2825	RM04-024	Knife clip		1
	2829	RM04-026	Knife clip		1
03A	27610	RM04-109	Knife clip		1
	2828	RM04-025	Knife clip		1
03B	2823	RM04-022	Knife clip		1
03C	2824	RM04-023	Knife clip		1
03D	20685	RM04-054	Knife clip		1
04	40420	RM04-052	Knife head		1
04A	20494	RM04-038	Knife head		1
05	20706	RM04-077	Knife back 13 sections		5
	20707	RM04-078	Knife back 15 sect. 2466		5
	20708	RM04-079	Knife back 17 sect. 2466		5
	20709	RM04-081	Knife back 21 sections		5
	20709/23	RM04-082	Knife back 23 sections		5
	20709/25	RM04-083	Knife back 25 sections		5
	20709/27	RM04-084	Knife back 27 sections		5
	2465	RM04-080	Knife back 19 sect. 2466		5
06	20701	RM04-069	Consumer streak 13 sections		1



BCS TRADIZIONALE

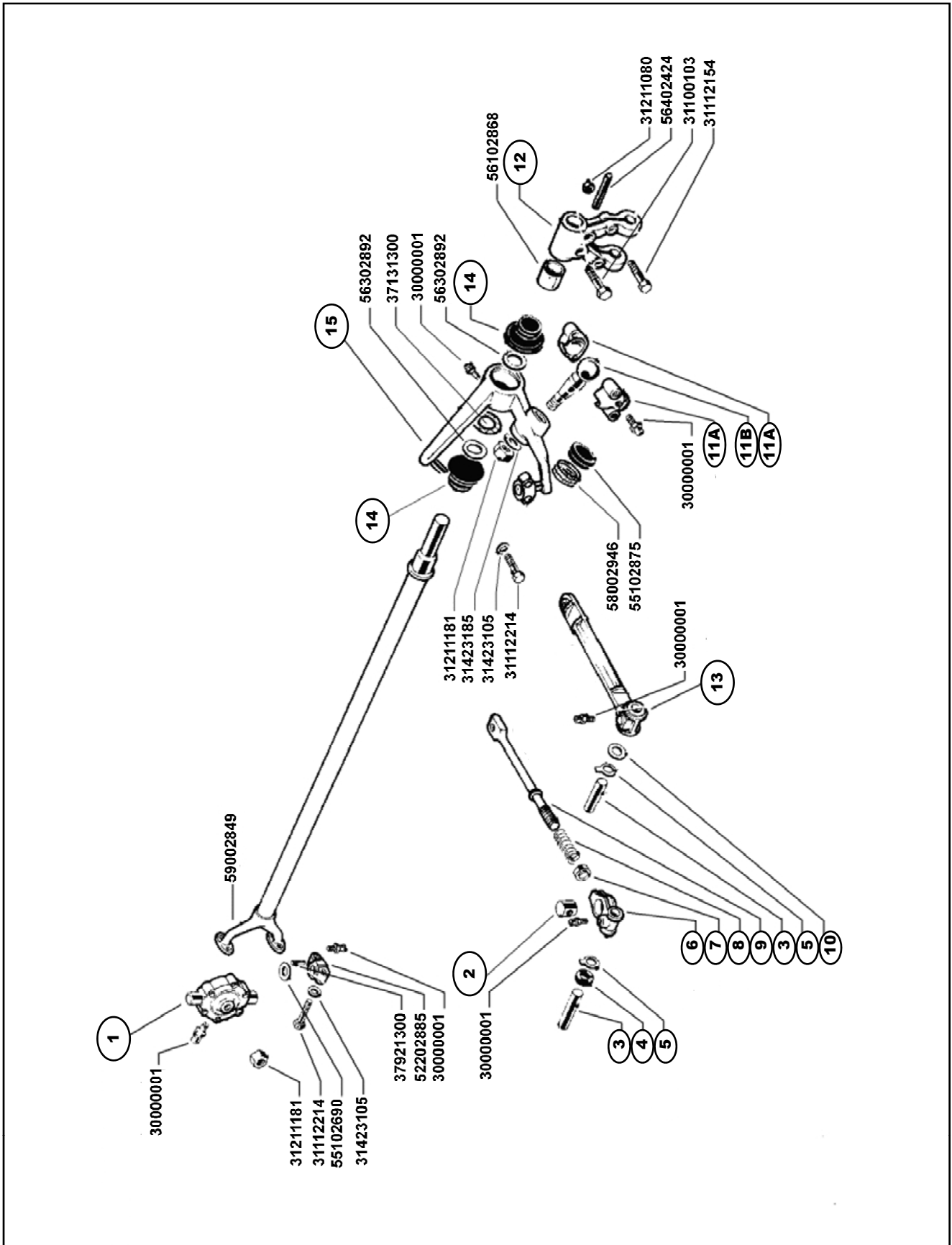


Pos.	Orig. Ref.	RIMA Ref.	Description	Application	Pack.
06	20702	RM04-070	Wearing strip 15 sect.2466	43574	1
	20703	RM04-071	Wearing strip 17 sect.2466	43555	1
	20704	RM04-073	Consumer streak 21 sections		1
	20704/23	RM04-074	Consumer streak 23 sections		1
	20704/25	RM04-075	Consumer streak 25 sections		1
	20704/27	RM04-076	Consumer streak 27 sections		1
	20704/33	RM04-281	Consumer streak 33 sections		1
	2709	RM04-072	Wearing strip 19 sect.2466		1
	27570	RM04-103	Consumer streak 21 sections		1
	27611	RM04-102	Consumer streak 19 sections		1
07	20688	RM04-091	Complete knife assy 19 sect. serrated		1
	20688/3	RM04-111	Complete knife 19 sections 3,0 mm.		1
	20712	RM04-085	Complete knife assy 13 sect. serrated		1
	20714	RM04-087	Complete knife assy 15 sect. serrated		1
	20716	RM04-089	Complete knife assy 17 sect. serrated		1
	20716/3	RM04-110	Complete knife 17 sections 3, 0 mm.		1
	20717	RM04-093	Complete knife assy 21 sect. serrated		1
	20718/26	RM04-095	Complete knife assy 26 sect. serrated		1
	20718/27	RM04-096	Complete knife assy 27 sect. serrated		1
	27525	RM04-099	Complete knife assy 19 sect. under mounted		1
	27530	RM04-100	Complete knife assy 21 sect. under mounted		1
	27534	RM04-180	Complete knife assy 17 sect. under mounted		1
	40415	RM04-097	Complete knife assy 17 sect. serrated		1
09	2526	RM04-017	Stick		1
10A	20655	RM04-039	Right nylon table		1
10B	20657	RM04-040	Left nylon table		1



BCS TRADIZIONALE

Ricambi Vari – *Various Spare Parts*





BCS TRADIZIONALE



Pos.	Orig. Ref.	RIMA Ref.	Description	Application	Pack.
Various Spare Parts					
	140	RM04-003	Silentblock 14x30x25x28	30010140	1
	141	RM04-004	Greaser 10 MA		1
	156	RM04-114	Roller 3x15,8		1
	17X40F		Disc	59003001	1
	20007	RM04-055	Clutch arm		1
	20102	RM04-058	Wire and sheath for right brake		1
	20103	RM04-059	Wire and sheath for left brake		5
	20137	RM04-037	Spring		1
	20169	RM04-060	Wire and sheath for clutch - old type		1
	20174	RM04-051	Rubber bearing		1
	20331	RM04-061	Wire and sheath for clutch - new type		1
	20347	RM04-057	Wire and sheath for gas (medium)		1
	20404	RM04-062	Right brake cable	58020404	1
	20406	RM04-063	Left brake cable (1,27-1,40)		1
	20408	RM04-064	Left brake cable (0,90)	58020408	1
	20415	RM04-065	Right brake cable		1
	20416	RM04-066	Left brake cable		1
	20420	RM04-067	Left brake cable		5
	20421	RM04-068	Left brake cable		1
	2306	RM04-005	Clutch spring		1
	2311	RM04-113	Clutch can		1
	2426	RM04-009	Clutch disc		1
	2538	RM04-018	Command gas		1
	2580	RM04-056	Wire and sheath for gas (long)		1
	2690	RM04-112	Rubber ring		1
	2845	RM04-027	Wearing plate		1
	2846	RM04-028	Wearing plate		1
	2847	RM04-029	Wearing plate		1
	2848	RM04-030	Wearing plate		1
	2850	RM04-202	Support	51202850	1
	58002538	RM04-018A	Command gas		1
	59020188		Complete disc		1
01	59090075		Complete oscillating head	2969	1
02	2512	RM04-015	Block		1
03	2514	RM04-016	Pin		1
04	2581	RM04-019	Rubber ring		1
05	2856	RM04-031	Ring		1
06	2817	RM04-021	Connecting rod head		1



BCS TRADIZIONALE



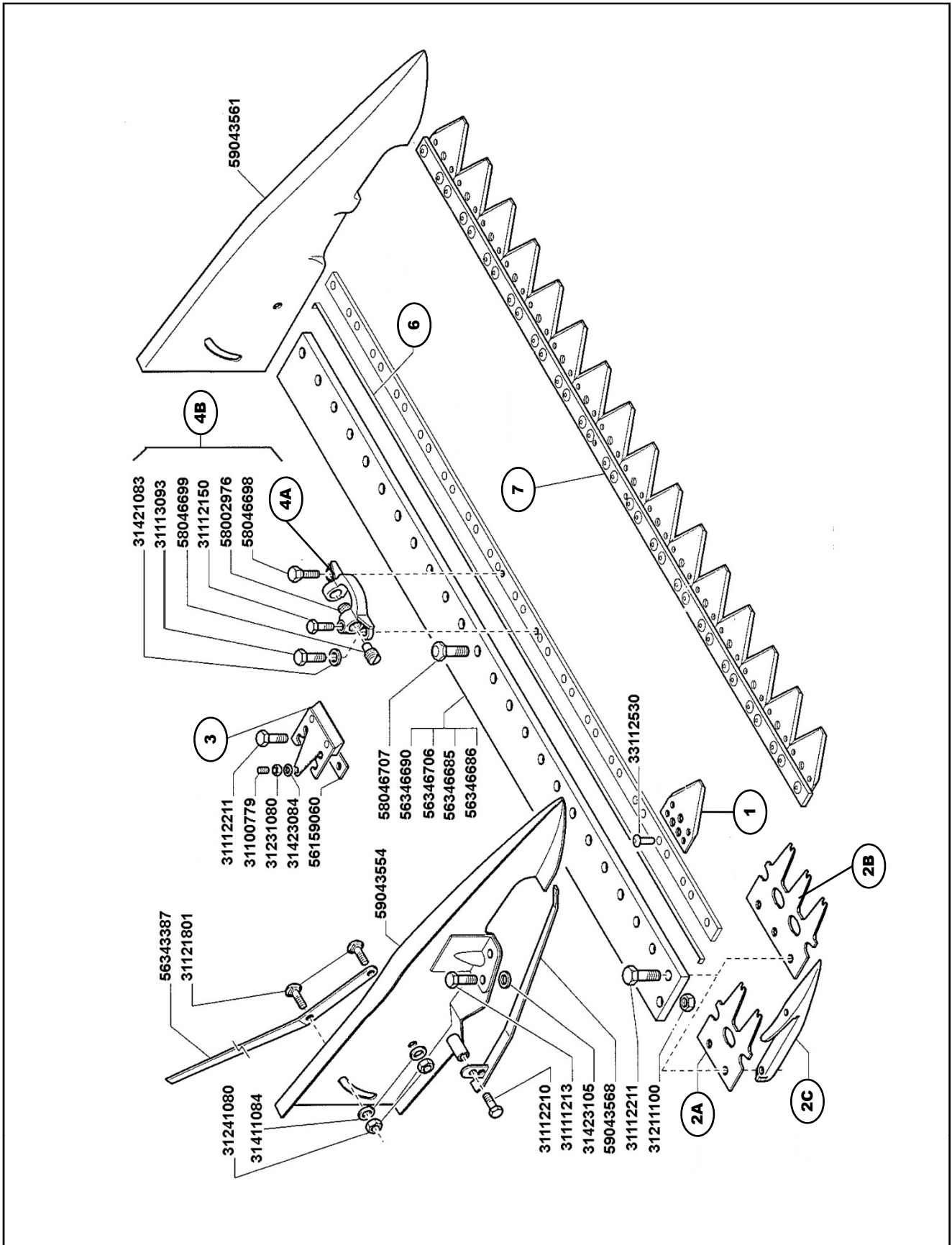
Pos.	Orig. Ref.	RIMA Ref.	Description	Application	Pack.
07	2394	RM04-008	Ring		1
08	2430	RM04-010	Spring		1
08A	2897	RM04-035	Right slide		1
08B	2898	RM04-036	Left slide		1
09	2707	RM04-041	Original connecting rod		1
	2707/RM	RM04-042	RM connecting rod		1
10	20684	RM04-044	Rubber ring		1
11A	2872/2905	RM04-032	Half shell		1
11B	2874	RM04-033	Spherical cone		1
11C	2874/2872/2905	RM04-034	Half sheel and spherical cone assy		1
12	2815	RM04-020	Crank oscillation		1
13	20680	RM04-043	Nylon connecting rod	59290025	1
14	2908	RM04-053	Rubber cap		1
15	2870	RM04-050	Oscillation box	59020827	1





BCS 600-700

Barra di Taglio - *Cutterbar*





BCS 600-700

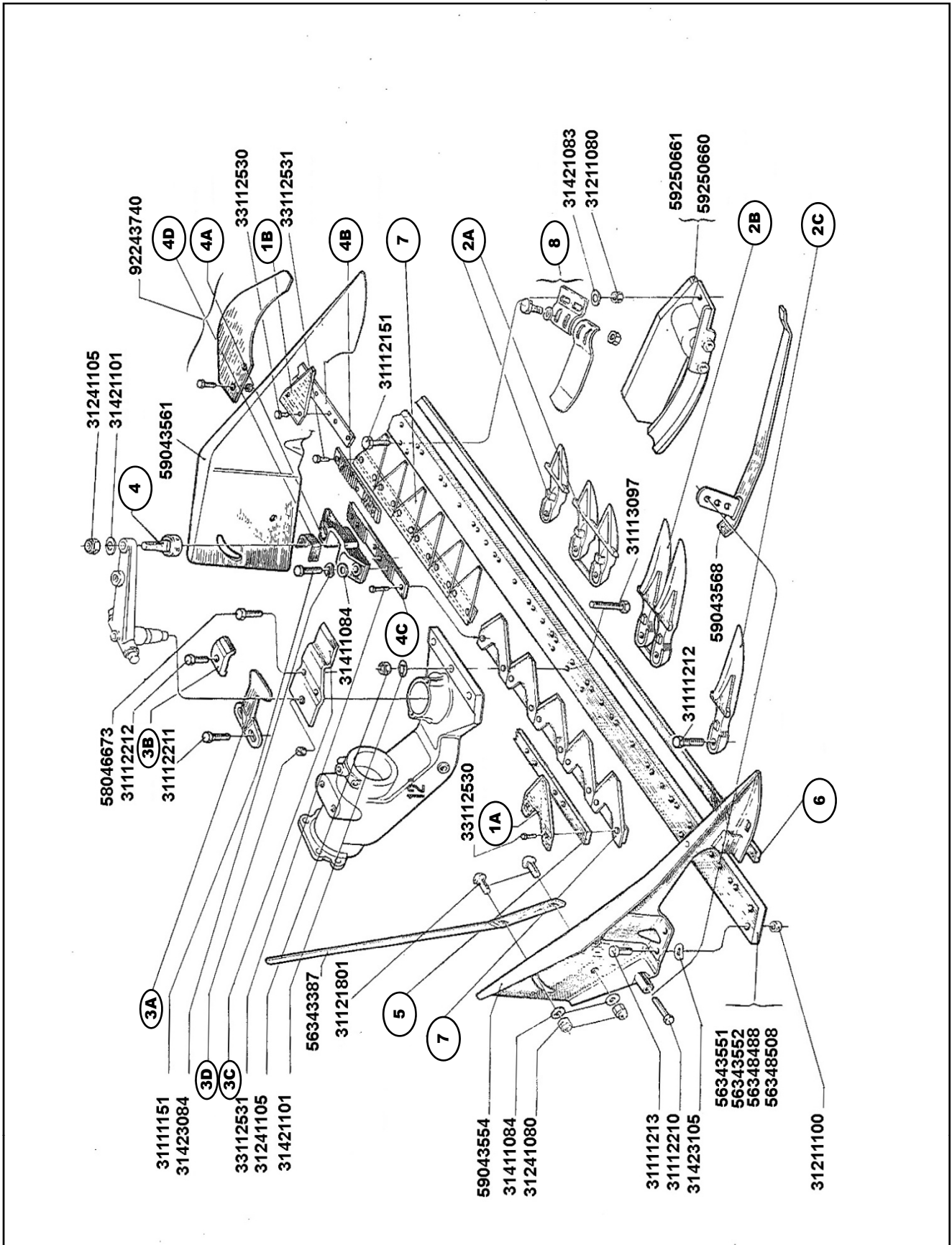


Pos.	Orig. Ref.	RIMA Ref.	Description	Application	Pack.
Cutterbar					
01	59013	RM04-236	Double knife section top serrated		25
	59014	RM04-235	Knife section		25
02A	27604	RM04-105	Double plate		1
02B	27711	RM04-243	Triple plate	56327726	1
02C	27727	RM04-237	Triple finger		1
	52327626	RM04-239	Double finger	52327628	1
03	59018	RM04-238	Knife clip	46694	1
04A	46697	RM04-248	Cpl. knife head		1
04B	46663	RM04-282	Knife head - kit		1
06	46693	RM04-245	Consumer streak 1,10 mts.		1
	46711	RM04-246	Consumer streak 1,27 mts.	56346711	1
	46727	RM04-247	Consumer streak 1, 40 mts.		1
07	46687	RM04-242	Complete knife 18 sections	1,40 mt.	1
	46688	RM04-287	Complete knife 20 sections	1,50 mt.	1
	46691	RM04-240	Complete knife 14 sections	1,10 mt.	1
	46708	RM04-241	Complete knife 16 sections	1,27 mt.	1
	59037	RM04-244	Complete knife 11 sections		1



BCS 715-725-735-745-755

Barra di Taglio - Cutterbar





BCS 715-725-735-745-755



Pos.	Orig. Ref.	RIMA Ref.	Description	Application	Pack.
Cutterbar					
01A	2466	RM04-011	Knife section serrated 3"		25
01B	D2001R	RM04-148	Knife section serrated 2"	48945	25
02A	20189	RM04-124	Simplefinger Mulching"		1
	20207	RM04-122	Double finger "Mulching"		1
	20207/1	RM04-122/1	Double finger "Mulching"		1
	20207/H	RM04-123	Double finger "Mulcherder"		1
02B	27622	RM04-045	Double finger		1
	27622/1	RM04-045/1	Double finger fitto		1
	27624	RM04-047	Double finger		1
	27624/1	RM04-047/1	Double finger		1
02C	27621	RM04-129	Simple finger		1
	27623	RM04-127	Simple finger		1
03A	2824	RM04-023	Knife clip		1
03B	2828	RM04-025	Knife clip		1
03C	43559	RM04-130	Knife clip for "Mulching" normal		1
	43559/RM	RM04-131	Knife clip for "Mulching" tempered		1
	RM04-136	RM04-136	Screw and nut		1
03D	43571	RM04-135	Screw 16x12		1
04	43521	RM04-174	Complete bearing pivot		1
	48506	RM04-175	Complete bearing pivot	48497	1
	48539	RM04-121	Plate	56348593	5
	48920	RM04-178	Complete bearing pivot		1
	49351	RM04-177	Complete bearing pivot	49351	1
04A	43538	RM04-118	Knife head		1
	48494	RM04-120	Knife head- reinforced		1
	48536	RM04-125	Knife head	48504	1
	52158660	RM04-356	Knife head	46665	1
	58058661	RM04-139	Nut	46668	1
	58058662	RM04-138	Screw	46666	1
04B	48905	RM04-117	Support		1
04C	43541	RM04-116	Support		1
05	20707	RM04-078	Knife back 15 sect. 2466		5
	20708	RM04-079	Knife back 17 sect. 2466		5
	2465	RM04-080	Knife back 19 sect. 2466		5
06	20702	RM04-070	Wearing strip 15 sect.2466		5
	20703	RM04-071	Wearing strip 17 sect.2466		5
	2709	RM04-072	Wearing strip 19 sect.2466		1
07	43544	RM04-152	Complete knife assy 15 sections serrated		1



BCS 715-725-735-745-755



Pos.	Orig. Ref.	RIMA Ref.	Description	Application	Pack.
07	43546	RM04-151	Lateral knife assy 11 sections serrated		1
	43553	RM04-153	Complete knife assy 17 sections serrated		1
	48503	RM04-154	Complete knife assy 19 sections serrated		1
	48943	RM04-179	Complete knife assy 16 sect 2"		1
	48946	RM04-155	Complete knife assy 22 sections serrated		1
	48948	RM04-156	Complete knife assy 25 sections serrated		1
	48948/27	RM04-157	Complete knife assy 27 sections serrated		1
08	58046677	RM04-141	Right and left slide	43572	1

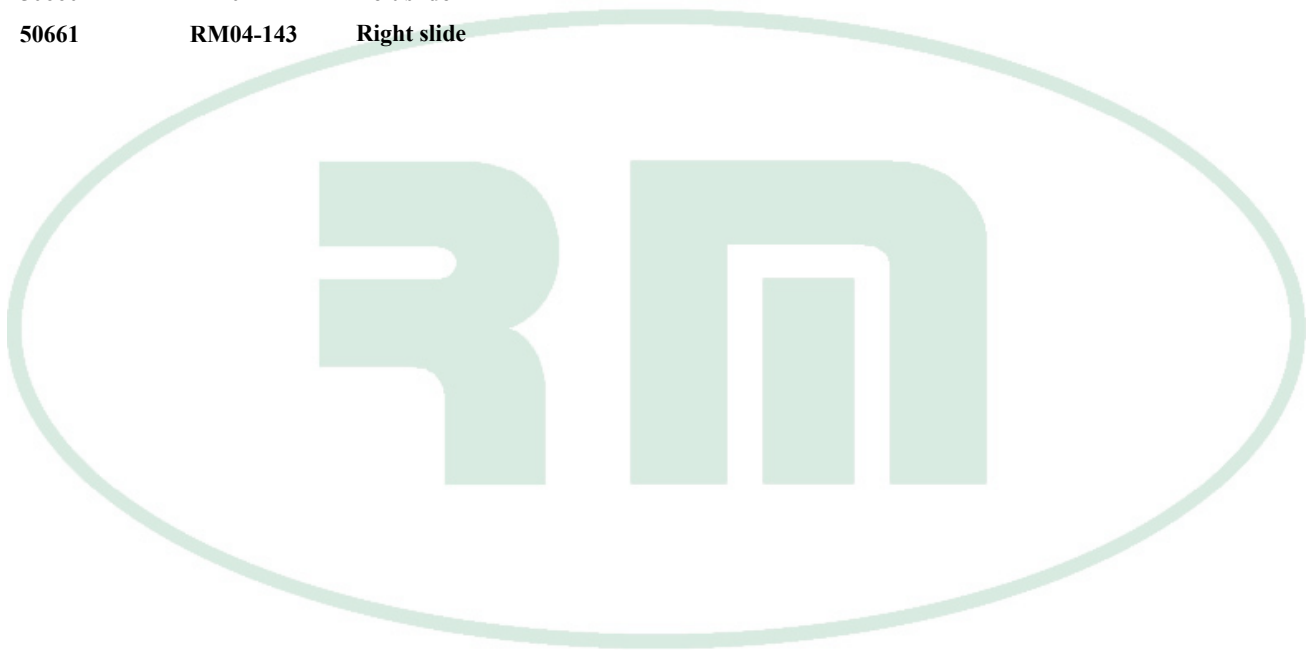




BCS 715-725-735-745-755



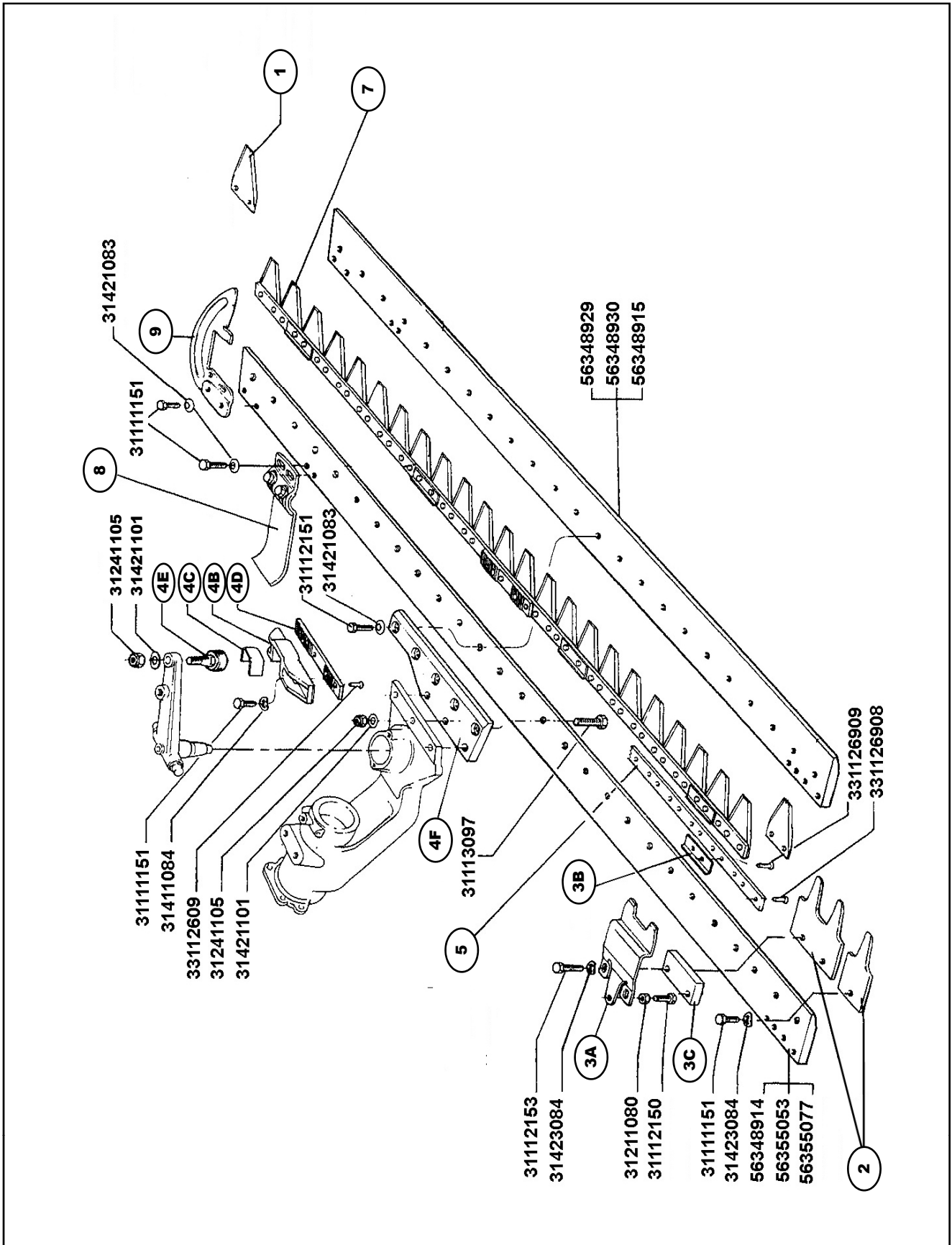
Pos.	Orig. Ref.	RIMA Ref.	Description	Application	Pack.
Various Spare Parts					
<input type="checkbox"/>	50564	RM04-140	Bush		1
<input type="checkbox"/>	32001	RM04-173	Bushing		1
	43497	RM04-172	Cover		1
	43554	RM04-145	Right shoe	59058931	1
	43561	RM04-146	Left shoe	59058938	1
	43568	RM04-142	Normal slide		1
	48501	RM04-171	Complete crank	59048965	1
	48502	RM04-169	Crank		1
	48510	RM04-170	Fork		1
	50660	RM04-144	Left slide		1
	50661	RM04-143	Right slide		1





BCS BARRA EUROPA

Barra di Taglio - *Cutterbar*





BCS BARRA EUROPA



Pos.	Orig. Ref.	RIMA Ref.	Description	Application	Pack.
Cutterbar					
01	50696	RM04-149	Knife section serrated Ø 7		25
	59015	RM04-192	Knife section serrated Ø 5,5	rigata sotto - svasata sotto	25
	P86443	RM04-254	Knife section top serr.	59015 rigata sopra	25
02	50648-OR	RM04-164	Double finger		1
	50649-OR	RM04-165	Simple finger		1
03A	51400	RM04-133	Knife clip	59003	1
03B	51401	RM04-162	Wearing plate		1
03C	51402	RM04-163	Block	56351402	1
04	52158660	RM04-356	Knife head	46665	1
	58058661		Nut	46668	1
	58058662		Screw	46666	1
04A	46663	RM04-282	Kit support		1
04B	48536	RM04-125	Knife head		1
04C	48539	RM04-121	Plate	56348593	5
04D	48905	RM04-117	Support	48904	1
04E	48920	RM04-178	Complete bearing pivot		1
04F	48912		Support		1
05	48907	RM04-197	Knife back 1, 35-27 sect.	1,35 mt.	5
	48910	RM04-196	Knife back 1,15-23 sect.	1,15 mt.	5
	49383	RM04-194	Knife back 0, 80-16 sect. lat.	0,80 mt.	5
	51414	RM04-195	Knife back 1, 00-19 sect.	1,00 mt.	5
	51420	RM04-193	Knife back 0,80-15 sect.	0,80 mt.	5
	55052	RM04-198	Knife back 1, 55-31 sect.	1,55 mt.	5
	55080	RM04-199	Knife back 1, 75-35 sect.	1,75 mt.	5
07A	48906	RM04-161	Complete knife assy 27 sect. serrated	59066	1
	48909	RM04-160	Complete knife assy 23 sect. serrated	59065	1
	48926	RM04-159	Complete Knife assy 19 sect. serrated	59064	1
	48928	RM04-158	Complete knife assy 15 sect. serrated	59059063	1
	55050	RM04-188	Complete knife assy 31 sect. serrated	59067	1
	55078	RM04-190	Complete knife assy 35 sect. serrated	59068	1
07B	59030	RM04-126	Cpl. knife assy 15 sections		1
	59031	RM04-147	Cpl. knife assy 19 sections		1
	59032	RM04-128	Cpl. knife assy 23 sections		1
	59033	RM04-132	Cpl. knife assy 27 sections		1
	59034	RM04-200	Cpl. knife assy 31 sections		1
	59035	RM04-201	Cpl. knife assy 35 sections		1
07C	59029	RM04-181	Complete knife assy 16 sect. serrated		1
	59059036	RM04-134	Cpl. knife assy 16 sections	59029	1



BCS BARRA EUROPA



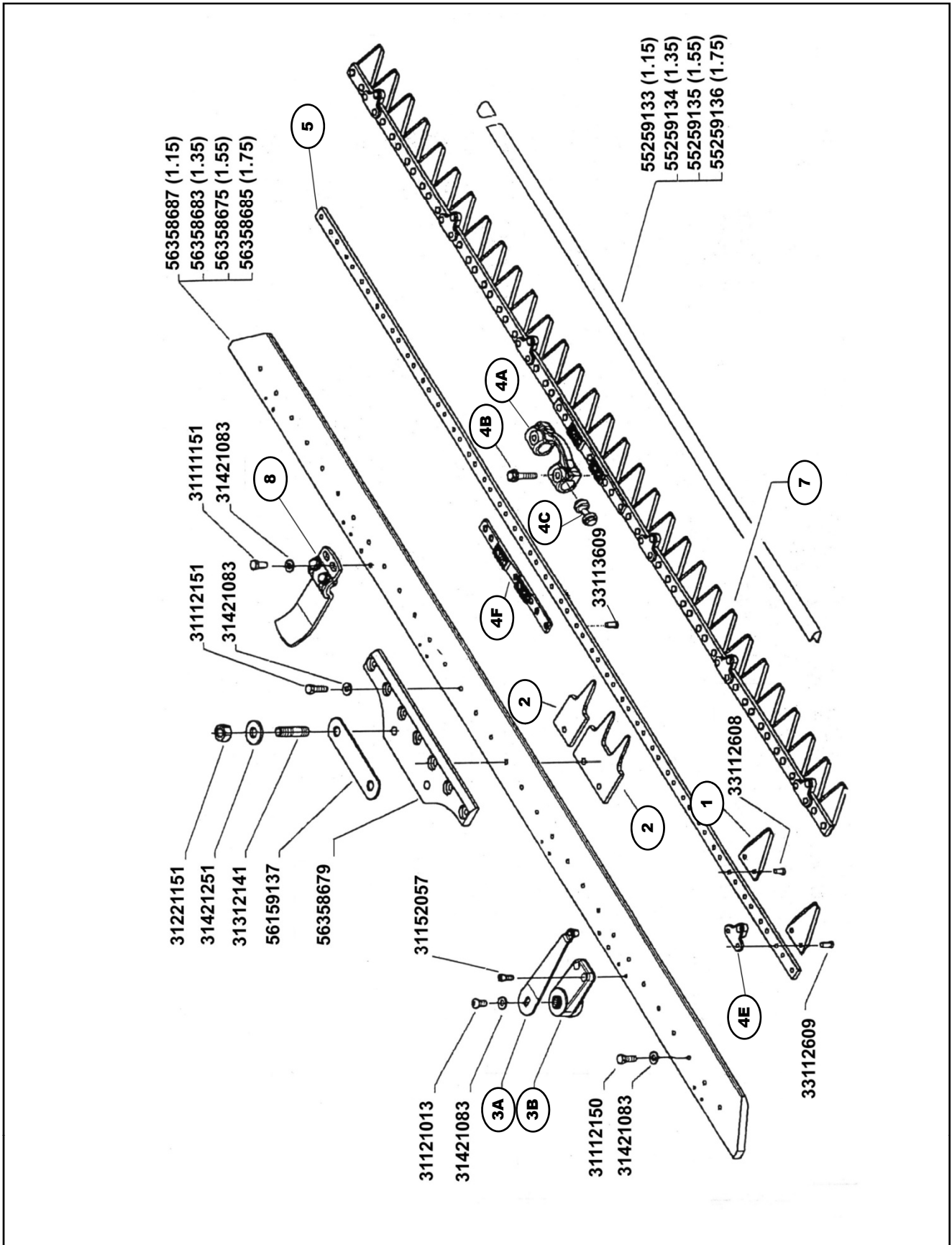
Pos.	Orig. Ref.	RIMA Ref.	Description	Application	Pack.
07D	58988	RM04-283	Complete knife 23 sections TS	1,15 mt.sezioni singole	1
	58989	RM04-284	Complete knife 27 sections TS	1,35 mt. - sezioni singole	1
	58990	RM04-285	Complete knife 31 sections TS	1,55 mt. - sezioni singole	1
	58991	RM04-286	Complete knife 35 sections TS	1,75 mt. - sezioni singole	1
08	58046677	RM04-141	Right and left slide	43572	1
09	92248918	RM04-355		48918	1





BCS BARRA EUROPA 1S-EL

Barra di Taglio - *Cutterbar*





BCS BARRA EUROPA 1S-EL



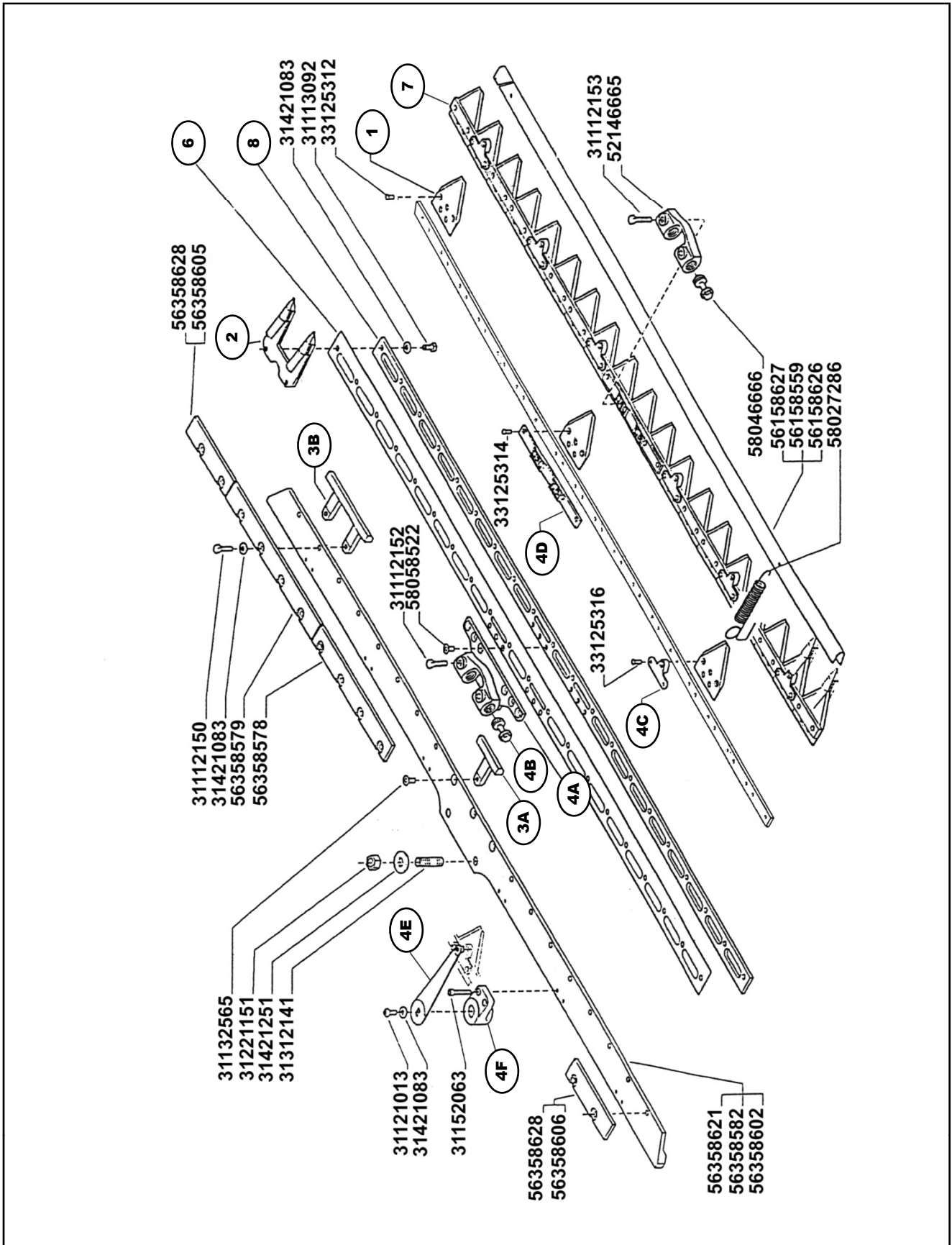
Pos.	Orig. Ref.	RIMA Ref.	Description	Application	Pack.
Cutterbar					
01	50696	RM04-149	Knife section serrated Ø 7		25
	59015	RM04-192	Knife section serrated Ø 5,5	rigata sotto - svasata sotto	25
02	50648-OR	RM04-164	Double finger		1
	50649-OR	RM04-165	Simple finger		1
03A	59058601	RM04-307	Knife clip		1
03B	59258682	RM04-308	Support		1
04A	52158660	RM04-356	Kit support	46665	1
04B	58058662		Screw	46666	1
04C	58058661		Nut	46668	1
04E	52458678	RM04-309	Knife head		1
04F	56158677	RM04-306	Knife head		1
05	48907	RM04-197	Knife back 27 sect.		5
	48910	RM04-196	Knife back 23 sect.		5
	55052	RM04-198	Knife back 31 sect.	1,55 mt.	5
	55080	RM04-199	Knife back 35 sect.	1,75 mt.	5
07	59058681	RM04-312	Complete knife assy 31 sections serrated		1
	59058684	RM04-311	Complete knife assy 27 sections serrated		1
	59058686	RM04-313	Complete knife assy 35 sections serrated		1
	59058688	RM04-310	Complete knife assy 23 sections serrated		1
08	58046677	RM04-141	Right and left slide		1
Various Spare Parts					
	92248918	RM04-355			1



BCS BARRA CENTRALE DUPLEX



Barra di Taglio - *Cutterbar*





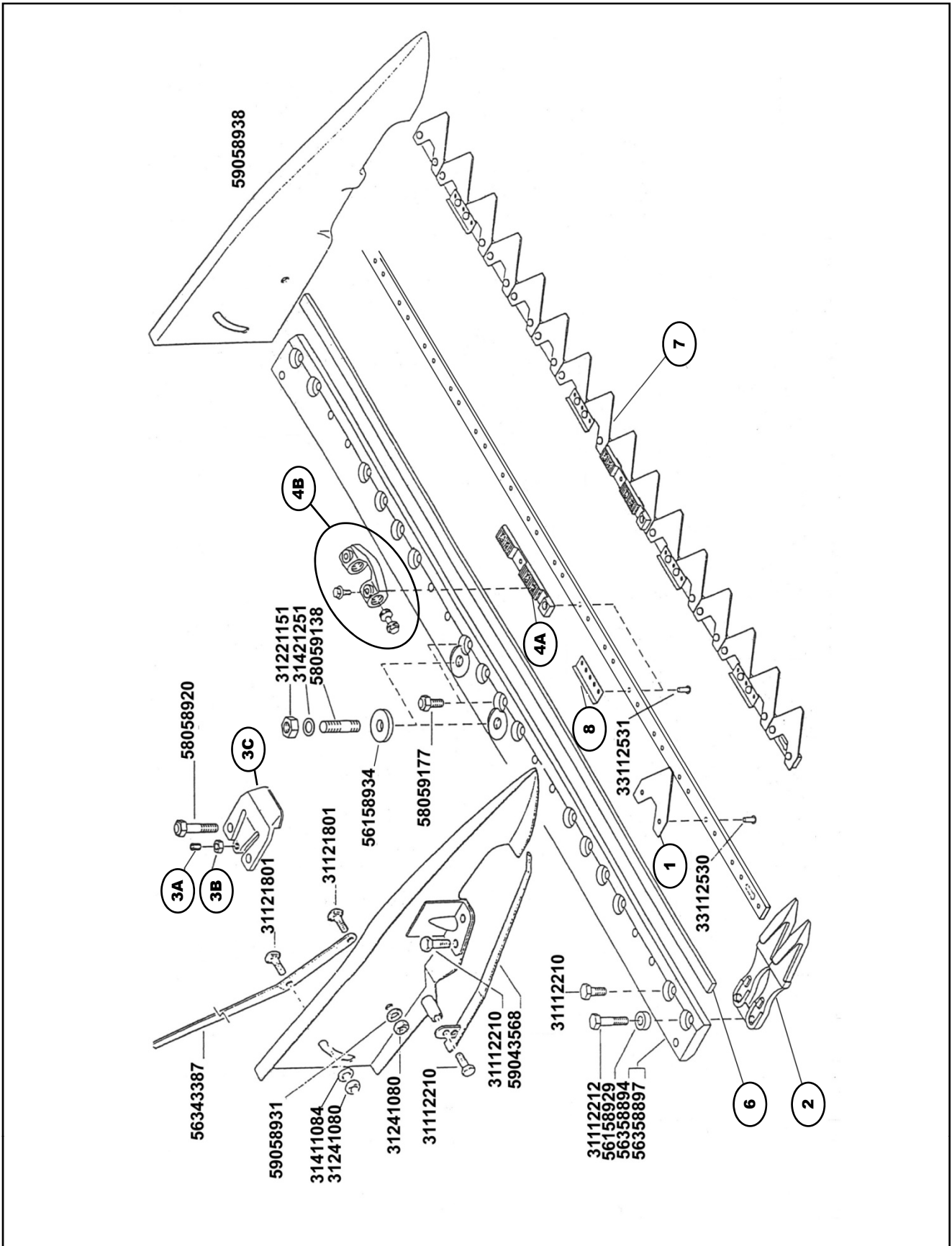
BCS BARRA CENTRALE DUPLEX



Pos.	Orig. Ref.	RIMA Ref.	Description	Application	Pack.
Cutterbar					
01	58028096	RM04-256	Knife section serrated		25
02	59028930	RM04-275	Double finger		1
03A	52158580	RM04-315	Lower guide OR		1
03B	52158589	RM04-258	Lower guide OR		1
04A	52158581	RM04-327	Knife head OR		1
04B	52158660	RM04-356	Knife head OR	46665	1
	58058661		Nut	46667	1
	58058662		Screw	46666	1
04C	52458599	RM04-323	Knife head	52458629	1
04D	56158613	RM04-322	Plate		1
04E	59058601	RM04-307	Knife clip		1
04F	59258614	RM04-314	Support		1
06	56358584	RM04-317	Streak		1
	56358604	RM04-318	Streak		1
	56358623	RM04-316	Streak		1
07	59058585	RM04-325	Complete knife assy serrated		1
	59058611	RM04-326	Complete knife assy serrated		1
	59058625	RM04-324	Complete knife assy serrated		1
08	56358583	RM04-320	Streak		1
	56358603	RM04-321	Streak		1
	56358622	RM04-319	Streak		1
Various Spare Parts					
	92248918	RM04-355			1



BCS BARRA CENTRALE S.F. 1S Barra di Taglio - *Cutterbar*





BCS BARRA CENTRALE S.F. 1S

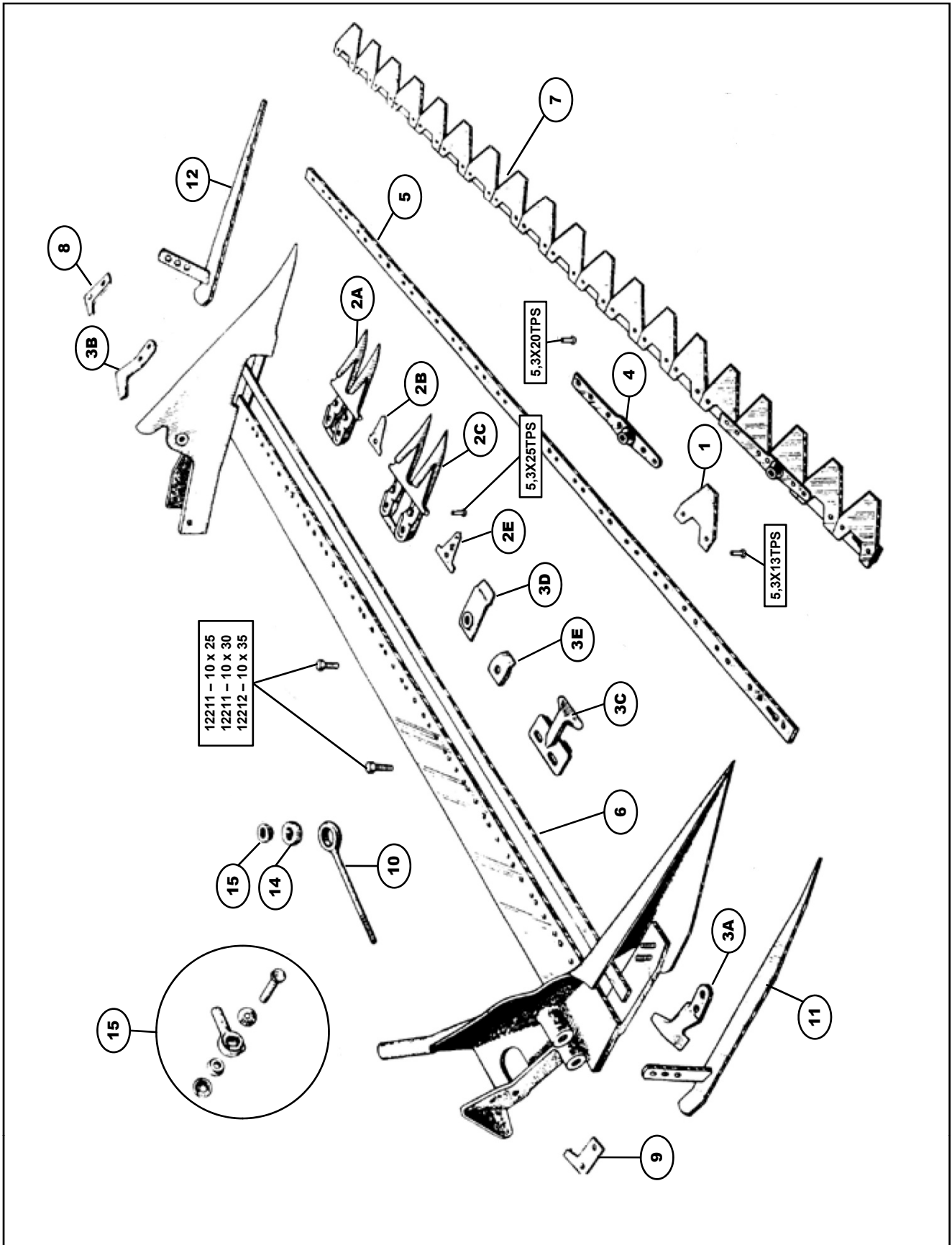


Pos.	Orig. Ref.	RIMA Ref.	Description	Application	Pack.
Cutterbar					
01	2466	RM04-011	Knife section serrated		25
02	27624	RM04-047	Finger		1
	27624/1	RM04-047/1	Finger		1
03A	31100780	RM04-329	Screw OR		1
03B	31231080	RM04-330	Nut OR		1
03C	56359004	RM04-328	Knife clip		1
04A	43541	RM04-116	Support		1
04B	46663	RM04-282	Kit OR		1
	46666	RM04-138	Screw		1
	52158660	RM04-356	Kit support	46665	1
	58058661		Nut	46668	1
	58058662		Screw	46666	1
06	20702	RM04-070	Wearing strip 15 sect.2466	56358898	1
	2709	RM04-072	Wearing strip 19 sect.2466	56358899	1
07	59058892	RM04-334	Complete knife assy 16 sections serrated		1
	59058895	RM04-335	Complete knife assy 20 sections serrated		1
08	56358910	RM04-331	Cleaning plate		5



BEDOGNI - OLIMPIA

Barra di Taglio - *Cutterbar*





Pos.	Orig. Ref.	RIMA Ref.	Description	Application	Pack.
Cutterbar					
01	2466	RM05-019	Knife section serrated		25
	2466/3	RM05-020	Knife section serrated 3, 0 mm.		25
02A	27622	RM05-025	Double finger	12296F	1
	27622/1	RM05-025/1	Double finger	12296F	1
02B	2355	RM05-003	Wearing plate	755F	1
02C	27624	RM05-026	Double finger	12296SF	1
	27624/1	RM05-026/1	Double finger	12296SF	1
02E	2477	RM05-004	Wearing plate	755SF	1
03A	12093	RM05-012	Right knife clip		1
03B	12094	RM05-013	Left knife clip		1
03C	12296	RM05-027	Knife clip		1
03D	12314	RM05-028	Knife clip		1
03E	2828	RM05-024	Knife clip	12295	1
04	953	RM05-006	Knife head		1
05	20706	RM05-041	Knife back 13 sections	757/13	5
	20707	RM05-042	Knife back 15 sect. 2466	757/15	5
	20708	RM05-043	Knife back 17 sect. 2466	757/17	5
	20709	RM05-045	Knife back 21 sections	757/21	5
	2465	RM05-044	Knife back 19 sect. 2466	757/19	5
06	20701	RM05-036	Consumer streak 13 sections	12301/13	1
	20702	RM05-037	Wearing strip 15 sect.2466	12301/15	1
	20703	RM05-038	Wearing strip 17 sect.2466	12301/17	1
	20704	RM05-040	Consumer streak 21 sections	12301/21	1
	2709	RM05-039	Wearing strip 19 sect.2466	12301/19	1
07	12280/13R	RM05-046	Complete knife assy 13 sect. serrated		1
	12280/15R	RM05-048	Complete knife assy 15 sect. serrated		1
	12280/17R	RM05-050	Complete knife assy 17 sect. serrated		1
	12280/17R/3	RM05-058	Complete knife 17 sect. serrated 3,0mm.		1
	12280/19R	RM05-053	Complete knife assy 19 sect. serrated		1
	12280/19R/3	RM05-059	Complete knife 19 sect. serrated 3,0mm.		1
	12280/21R	RM05-055	Complete knife assy 21 sect. serrated		1
08	12091	RM05-010	Wearing plate L.H.		1
09	12092	RM05-011	Wearing plate R.H.		1
10	12177	RM05-015	Nude connecting rod		1
11	12194	RM05-017	Slide for right shoe		1



BEDOGNI-OLIMPIA



Pos.	Orig. Ref.	RIMA Ref.	Description	Application	Pack.
12	12195	RM05-018	Slide for left shoe		1
13	12239	RM05-022	Superior cone		1
14	12292	RM05-023	Rubber bearing		1
15	12425K	RM05-030	Complete connecting rod head		1
Various Spare Parts					
	12045	RM05-092	Lever		1
	12083	RM05-087	Pivot		1
	12084	RM05-088	Support		1
	12087	RM05-089	Crank		1
	12187/12191	RM05-057	Wire and sheath for clutch		1
	12188/12189	RM05-056	Wire and sheath for gas		1
	12193/D	RM05-100	RH nylon table		1
	12193/S	RM05-101	LH nylon table		1
	12242	RM05-094	Cap		1
	12288/12290	RM05-060	Wire and sheath for brake		1
	13073	RM05-091	Clutch washer		1
	13353	RM05-090	Cpl. ring		1
	793	RM05-005	Command gas		1
	941	RM05-001	Estendblock		1
	942	RM05-002	Estendblock		1



Pos.	Orig. Ref.	RIMA Ref.	Description	Application	Pack.
Cutterbar					
01	130200621	RM29-021	Tip serrated knife		25
	130201620	RM29-022	Tip smooth knife		25
	15005103	RM29-020	Tip knife		25
	DIN80L	RM29-002	Smooth knife head	222L	25
	DIN80R	RM29-001	Serrated knife head	222S	25
02	13020121	RM29-023	Wearing		1
	15004307	RM29-032	Double finger		1
	150115220	RM29-031	Double finger		1
	FS882	RM29-024	Wearing		1
	M3D	RM29-019	Double finger		1
03	13020171	RM29-030	Knife clip		1
07	13020169	RM29-014	Complete knife 25 sections		1
	15004379	RM29-015	Complete knife 25 sections		1
	15005402	RM29-005	Complete knife 19 sections	DIS. 6A	1
	15005404	RM29-009	Complete knife 21 sections	DIS. 7A	1
	RM29-003	RM29-003	Complete knife 19 sections	DIS. 2	1
	RM29-004	RM29-004	Complete knife 19 sections	DIS. 6	1
	RM29-006	RM29-006	Complete knife 19 sections	DIS. 15A	1
	RM29-007	RM29-007	Complete knife 21 sections	DIS. 3	1
	RM29-008	RM29-008	Complete knife 21 sections	DIS. 7	1
	RM29-010		Complete knife 21 sections	DIS. 16A	1
	RM29-011	RM29-011	Complete knife 25 sections	DIS. 4	1
	RM29-012	RM29-012	Complete knife 25 sections	DIS. 8	1
	RM29-013	RM29-013	Complete knife 25 sections	DIS. 10	1
	RM29-016		Complete knife 25 sections		1
	RM29-017	RM29-017	Complete knife 25 sections		1
	RM29-034		Complete knife 15 sections		1
	RM29-035		Complete knife 17 sections		1
Various Spare Parts					
	G319	RM29-027	Wearing plate	13015964	1
	15004305	RM29-026	Wearing plate		1
	15004306	RM29-025	Wearing plate		1



Pos.	Orig. Ref.	RIMA Ref.	Description	Application	Pack.
Cutterbar					
01	2466	RM06-006	Knife section serrated	208600070	25
	D.304	RM06-010	Knife section serrated 3" over flared	208600060	25
	D1140R	RM06-009	Knife section serrated 3" over flared	208800060	25
	D2001R	RM06-007	Knife section serrated	207000040	25
	D2001R-OV	RM06-008	Knife section serrated 2" over flared	207000030	25
	D2001R-UV	RM06-068	Knife section serrated	200600210	25
	D2002R	RM06-069	Knife section serrated	200600280	25
	RM06-070	RM06-070	Knife section serrated	HN58	25
02	20207	RM06-002	Double finger "Mulching"	17A3	1
	20207/1	RM06-002/1	Double finger "Mulching"	17A3/1	1
	27624	RM06-001	Double finger	HN55	1
	27624/1	RM06-001/1	Double finger	HN55/1	1
03	2828	RM06-003	Knife clip	HN59	1
04	213143	RM06-058	Central knife head	69200100	1
	213218-20	RM06-066	Knife head	MN25	1
	213218-24	RM06-005	Knife head - new type		1
	21A55	RM06-057	Knife head for ESM		1
	VN8/3	RM06-004	Knife head		1
05	RM04-289	RM06-012	Knife back 11 sect. 3" without special holes		5
	RM06-011	RM06-011	Knife back 11 sect. 3" with special holes		5
	RM06-013	RM06-013	Knife back 13 sect. 3" with special holes		5
	RM06-014	RM06-014	Knife back 14 sect. 3 " with special holes		5
	RM06-015	RM06-015	Knife back 14 sect. 3 " without spec. holes		5
	RM06-016	RM06-016	Knife back 14 sect. 2" with special holes		5
	RM06-017	RM06-017	Knife back 15 sect. 3 " with special holes		5
	RM06-018	RM06-018	Knife back 16 sect. 2" with special holes		5
	RM06-019	RM06-019	Knife back 17 sect. 2" without special holes		5
	RM06-020	RM06-020	Knife back 18 sect. 2" with special holes		5
	RM06-021	RM06-021	Knife back 19 sect. 3 " with special holes		5
	RM06-022	RM06-022	Knife back 20 sect. 2" with special holes		5
	RM06-023	RM06-023	Knife back 22 sect. 2" with special holes		5
	RM06-024	RM06-024	Knife back 23 sect. 2" with special holes		5
	RM06-025	RM06-025	Knife back 28 sect. 2" with special holes		5
06	21A47	RM06-026	Consumer streak 1358/18 sect.		1
07	14A1	RM06-027	Central knife assy 16 sect. 2" - under flared		1
	17A1	RM06-028	Central knife assy 16 sect. 2"		1
	17A159	RM06-034	Lateral knife assy 11 sect. 3" - with head		1
	17A2	RM06-029	Lateral knife assy 16 sect. 2" - with head		1



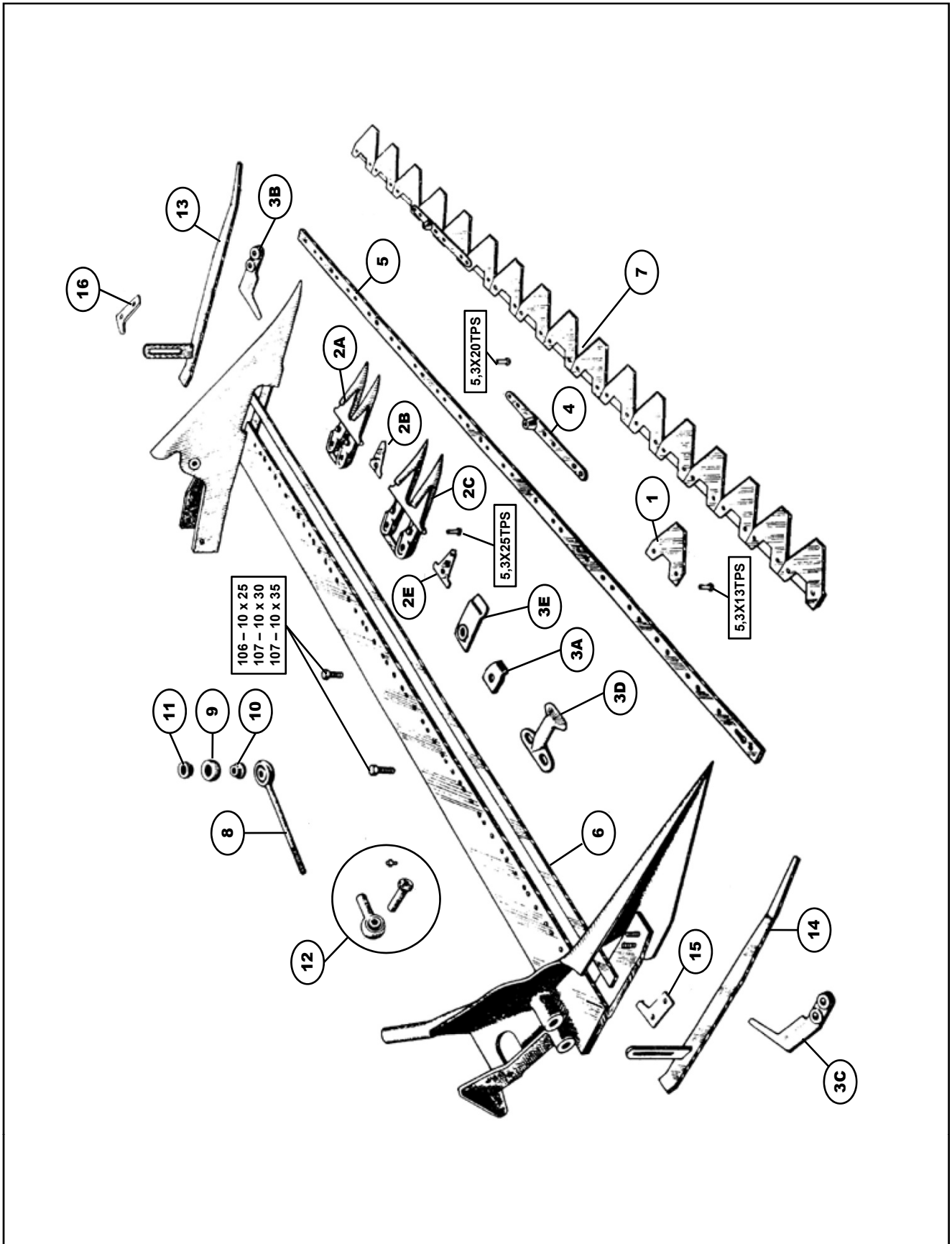
Pos.	Orig. Ref.	RIMA Ref.	Description	Application	Pack.
07	17A22	RM06-030	Central knife assy 20 sect. 2"		1
	17A23	RM06-031	Central knife assy 11 sect. 3"		1
	17A24	RM06-032	Lateral knife assy 11 sect. 3"		1
	17A37	RM06-033	Central knife assy 22 sect. 2"		1
	21A23	RM06-036	Central knife assy 28 sect. 2"		1
	21A24/4P.P.	RM06-037	Lateral knife assy 11 sect. 3" - with head & wea		1
	21A25	RM06-038	Later knife assy 16 sect. 2"- with head		1
	21A39/6P.P.	RM06-039	Central knife assy 15 sect. 3"- with wear plates		1
	21A8	RM06-035	Central knife assy 22 sect. 2"		1
	HN101	RM06-042	Lateral knife assy 16 sect. 2" - under flared		1
	HN14/2	RM06-040	Later knife assy 17 sect. 2"- under flared		1
	HN41/1	RM06-041	Central knife assy 11 sect. 3"		1
	IN114	RM06-043	Lateral knife assy 14 sect. 2" - without head		1
	IN117	RM06-044	Central knife assy 14 sect. 2" - under flared		1
	MN16	RM06-045	Later knife assy 14 sect. 2"- under flared witho		1
	MN26/3P.P.	RM06-046	Lateral knife assy 11 sect. 3"- with head & wear		1
	MN28	RM06-047	Lateral knife assy 16 sect. 2" - under flared		1
	MN30	RM06-048	Central knife assy 15 sect. 3"		1
	MN32	RM06-049	Central knife assy 18 sect. "- under flared		1
	MN33	RM06-050	Central knife assy 19 sect. 3"		1
	MN34	RM06-051	Central knife assy 23 sect. 2" - under flared		1
	MN37	RM06-052	Central knife assy 19 sect. 2" - under flared		1
	MN38	RM06-053	Central knife assy 13 sect. 3"		1
	MN40	RM06-054	Lateral knife assy 11 sect. 3 " - without head		1
	MN41	RM06-055	Central knife assy 15 sect. 3"		1
	VN42	RM06-056	Lateral knife assy 16 sect. 2 " - under flared		1
Various Spare Parts					
	17A114	RM06-061	Special washer	200600170	1
	213130	RM06-064	Pivot		1
	213131	RM06-065	Roller		1
	58046677	RM06-062	Cpl. right slide	200600030-200600100	1



BERTOLINI TRADIZIONALE



Barra di Taglio - Cutterbar





BERTOLINI TRADIZIONALE



Pos.	Orig. Ref.	RIMA Ref.	Description	Application	Pack.
Cutterbar					
01	2466	RM07-014	Knife section serrated	582090	25
	2466/3	RM07-015	Knife section serrated 3, 0 mm.	582090/3	25
02A	27622	RM07-027	Double finger	582689	1
	27622/1	RM07-027/1	Double finger	582689/1	1
02B	2355	RM07-006	Finger plate	040354	1
02C	27624	RM07-026	Double finger	582688	1
	27624/1	RM07-026/1	Double finger	582688/1	1
02E	2477	RM07-005	Finger plate	040353	1
03A	2828	RM07-021	Knife clip	582687	1
03B	582271	RM07-017	Left knife clip		1
03C	582274	RM07-018	Right knife clip		1
03D	582685	RM07-024	Knife clip		1
03E	582686	RM07-025	Simple knife clip	2823	1
04	040481	RM07-007	Knife head	481/3	1
05	20706	RM07-036	Knife back 13 sections	040767	5
	20707	RM07-037	Knife back 15 sect. 2466	40411	5
	20708	RM07-038	Knife back 17 sect. 2466	40412	5
	20709	RM07-040	Knife back 21 sections	040414	5
	2465	RM07-039	Knife back 19 sect. 2466	040413	5
06	20701	RM07-031	Consumer streak 13 sections	582702	1
	20702	RM07-032	Wearing strip 15 sect.2466	582701	1
	20703	RM07-033	Wearing strip 17 sect.2466	582700	1
	20704	RM07-035	Consumer streak 21 sections	582698	1
	2709	RM07-034	Wearing strip 19 sect.2466	582699	1
07	582099	RM07-041	Complete knife assy 13 sect. serrated		1
	582101	RM07-043	Complete knife assy 15 sect. serrated		1
	582103	RM07-045	Complete knife assy 17 sect. serrated		1
	582103/3	RM07-056	Complete knife assy 17 sect. 3,0 mm. serrated		1
	582105	RM07-047	Complete knife assy 19 sect. serrated		1
	582105/3	RM07-057	Complete knife assy 9 sect. 3, 0 mm. serrated		1
	582107	RM07-049	Complete knife assy 21 sect. serrated		1
08	582287	RM07-022	Complete connectiong rod		1
10	580961	RM07-008	Inferior cone	BRF961	1
11	580962	RM07-009	Superior cone	BRF962	1
12	582989	RM07-029	Complete knife head with pin		1
13	582272	RM07-019	Left slide		1
14	582286	RM07-020	Right slide		1



BERTOLINI TRADIZIONALE



Pos.	Orig. Ref.	RIMA Ref.	Description	Application	Pack.
15	580978	RM07-012	Wearing plate L.H.	BRF978	1
16	580982	RM07-011	Wearing plate R.H.	BRF982	1





BERTOLINI TRADIZIONALE



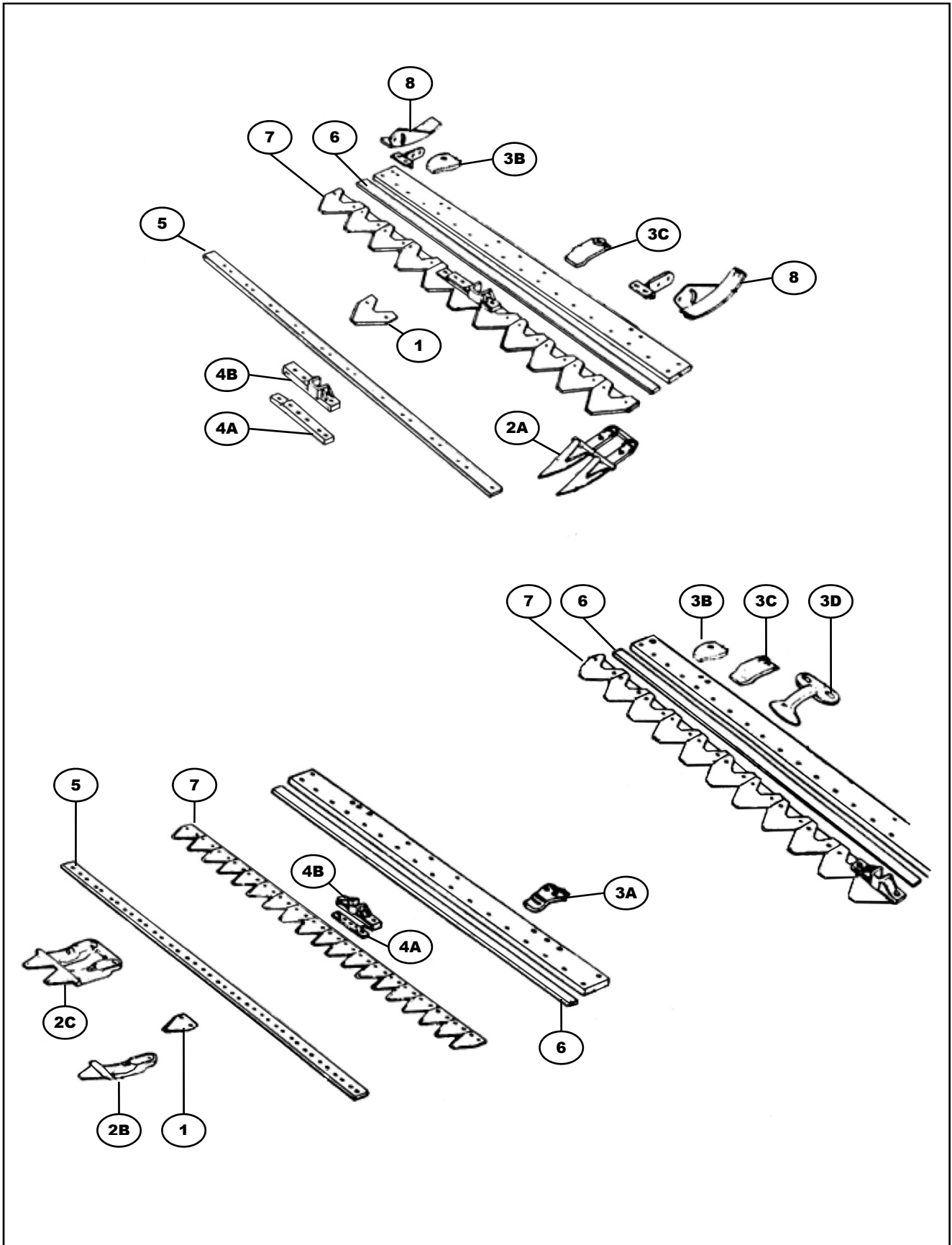
Pos.	Orig. Ref.	RIMA Ref.	Description	Application	Pack.
Various Spare Parts					
	12292	RM07-010	Rubber bearing	580963	1
	140	RM07-003	Silentblock = 140	84924400	1
	2430	RM07-002	Spring	BU.203	1
	5458200	RM07-054	Wire and sheath for gas		1
	5462700				1
	5486610	RM07-058	Brake drive		1
	5490700	RM07-055	Wire and sheath for clutch		1
	5495700	RM07 061	Wire and sheath for clutch		1
	5500510	RM07-102	Drive		1
	5503210	RM07-059	Brake drive		1
	570231	RM07-110	Shaft		1
	582690	RM07-028	Spring		1
	582716	RM07-111	RH nylon table		1
	582717	RM07-112	LH nylon table		1
	582825	RM07-023	Crank		1
	583006	RM07-030	Clutch disc with hub		1
	82800000	RM07-001	Command gas	BF192	1





BERTOLINI PRATOLINA

Barra di Taglio - *Cutterbar*





BERTOLINI PRATOLINA



Pos.	Orig. Ref.	RIMA Ref.	Description	Application	Pack.
Cutterbar					
01	2466	RM07-014	Knife section serrated 3"	582090	25
	D2001R	RM07-063	Knife section serrated 2"	1457300	25
02A	27624	RM07-026	Double finger	582688	1
	27624/1	RM07-026/1	Double finger	582688/1	1
02B	20189	RM07-066	Simple,finger "Mulching"	741681	1
02C	20207	RM07-065	Double finger "Mulching"	741680	1
	20207/1	RM07-065/1	Double finger "Mulching"	741680/1	1
03A	20863	RM07-100	Knife clip	1113112	1
03B	2828	RM07-021	Knife clip	582687	1
03C	43559	RM07-069	Knife clip	1073118	1
	582685	RM07-024	Double knife clip		1
03D	582686	RM07-025	Simple knife clip	2823	1
04A	1073122	RM07-073	Support		1
	1073123	RM07-074	Support		1
04B	1073124	RM07-071	Knife head		1
	1073376	RM07-109	Knife head	2 perni	1
	712045	RM07-072	Knife head		1
05	20706	RM07-083	Knife back 13 sections 3"	712028	5
	20707	RM07-084	Knife back 15 sect. 2466	40411	5
	20708	RM07-085	Knife back 17 sect. 2466	40412	5
	48910	RM07-087	Knife back 23 sections 2"	1073125	5
	51414	RM07-086	Knife back 19 sections 2"	741628	5
	RM04-289	RM07-082	Knife back 11 sections 3"	712006	5
	RM04-297	RM07-088	Knife back 25 sections 2"	1073154	5
06	712008	RM07-078	Consumer streak mm. 800		1
	712027	RM07-079	Consumer streak mm. 950		1
	712031	RM07-080	Consumer streak mm. 1150		5
	741679	RM07-081	Consumer streak mm. 1270		1
07	1073126	RM07-091	Complete knife assy CB. 11 sect. 3"		1
	1073127	RM07-092	Complete knife assy C. B. 13 sect. 3"		1
	1073128	RM07-094	Complete knife assy C.B. 15 sect. 3"		1
	1073133	RM07-089	Complete knife assy L.B. 11 sect. 3"		1
	1073136	RM07-097	Complete knife assy C. B. 19 sect. 2"		1
	1073137	RM07-098	Complete knife assy C. B. 23 sect. 2"		1
	1073150	RM07-096	Complete knife assy C.B. 17 sect. 3"		1
	1073152	RM07-099	Complete knife assy C..B. 25 sect. 2"		1
	1073276	RM07-106	Complete knife C.B. 23 sect. 2"		1
	1073277	RM07-107	Complete knife C.B. 25 sect. 2"		1
	1073349	RM07-105	Complete knife C.B. 19 sect. 3"		1



BERTOLINI PRATOLINA



Pos.	Orig. Ref.	RIMA Ref.	Description	Application	Pack.
07	1073368	RM37-120	Complete knife C.B. 27 sections		1
	1073383	RM07-101	Complete knife C.B. 13 sect. 3"		1
	1073384	RM07-117	Complete knife C.B. 15 sect. 3"		1
	1073385	RM07-103	Complete knife C.B. 17 sect. 3"		1
	1073386	RM07-104	Complete knife C.B. 19 sect. 3"		1
	1073388	RM07-108	Complete knife C.B. 29 sect. 2"		1
	1073470	RM07-119	Complete knife C.B. 25 sections		1
	1073471	RM07-118	Complete knife C.B. 23 sections		1
	1303144		Cpl. Knife 31 sect. D2001R 2 pins		1
	2490940		Complete knife 28 sections	1073410	1
	2492450		Complete knife 32 sections	1504747	1
	712047	RM07-090	Complete knife assy L.B. 11 sect. 3"		1
	712048	RM07-093	Complete knife assy C. B. 13 sect. 3"		1
	712049	RM07-095	Complete knife assy C.B. 15 sect. 3"		1
08	58046677	RM07-075	Right sfile	1073156 - 1073147	1





Pos.	Orig. Ref.	RIMA Ref.	Description	Application	Pack.
Cutterbar					
03	384019084	RM43-014	SUPPORT	2720150	1
	384027595	RM43-013	KNIFE CLIP	2671460	1
04	5D06A-10	RM43-006	UPPER KNIFE HEAD		1
	5D06A-38	RM43-005	LOWER KNIFE HEAD		1
	5D06A-64	RM43-007	UPPER KNIFE HEAD		1
	5D06A-65	RM43-008	LOWER KNIFE HEAD		1
	5D06A-66	RM43-010	UPPER KNIFE HEAD		1
	5D06A-67	RM43-009	LOWER KNIFE HEAD		1
07	5460/70-09161	RM43-012	KNIFE COUPLE 31 SECTIONS		1
	RM43-001	RM43-001	KNIFE COUPLE 22/24 SECTION W/DE PIETRIS		1
	RM43-001/A	RM43-001/A	KNIFE COUPLE 22/24 SECTION WITHOUT HE		1
	RM43-002	RM43-002	KNIFE COUPLE 28 SECTION WITH BUSATIS H		1
	RM43-003	RM43-003	KNIFE COUPLE 25/26 SECTION W/DE PIETRIS		1
	RM43-003/A	RM43-003/A	KNIFE COUPLE 25/26 SECTION WITHOUT HE		1
	RM43-004	RM43-004	KNIFE COUPLE 29 SECTION W/DE PIETRIS HE		1
	RM43-004/A	RM43-004/A	KNIFE COUPLE 29 SECTION WITHOUT HEAD		1
	RM43-011	RM43-011	KNIFE COUPLE 26/27 SECTION W/DE HEAD		1



Pos.	Orig. Ref.	RIMA Ref.	Description	Application	Pack.
Cutterbar					
01	242S	RM09-001	Knife section serrated 3"	26166	25
	D2001R	RM09-002	Knife section serrated 2"	26162	25
02	20207	RM09-008	Double finger "Mulching"	20121	1
	20207/1	RM09-008/1	Double finger "Mulching"	20121/1	1
	27624	RM09-009	Double finger	20124	1
	27624/1	RM09-009/1	Double finger	20124/1	1
03	20118	RM09-005	Knife clip	20501	1
	20863	RM09-037	Knife clip		1
	2823	RM09-010	Simple knife clip	20128	1
	2828	RM09-012	Knife clip	20502	1
04	26179	RM09-024	Screw 8x25MA.		1
05	24126	RM09-029	Knife back 23 sect. 2"		5
	24140	RM09-028	Knife back 18 sect. 3"		5
	24143	RM09-032	Knife back 21 sect. 2"		5
	24148	RM09-031	Knife back 19 sect. 2"		5
	24150	RM09-030	Knife back 25 sect. 2"		5
	24796	RM09-025	Knife back 12 sect. 3" - 3 holes		5
	24800	RM09-026	Knife back 14 sect. 3"		5
	24809	RM09-027	Knife back 16 sect. 3"		5
	RM09-051	RM09-051	Knife back 27 sections 2"		5
06	24116	RM09-033	Consumer streak cm. 97		1
	24122	RM09-034	Consumer streak cm. 107		1
	24129	RM09-035	Consumer streak cm. 117		1
	24132	RM09-036	Consumer streak cm. 127		1
07	20160	RM09-055	Cpl. knife assy 19 sect. 2" with w.p. 3 holes		1
	24123	RM09-054	Cpl. knife assy 19 sect. 2" with w.p. 3 holes		1
	24128	RM09-016	Cpl. knife assy 25 sect. 2" with w.p. -3holes		1
	24131	RM09-044	Cpl. knife assy 12 sect. 3" without w.p. - 2 holes		1
	24133	RM09-045	Cpl. knife assy 14 sect. 3" without w.p. - 2 holes		1
	24135	RM09-048	Cpl. knife assy 16sect. 2" lateral - without w.p.		1
	24136	RM09-014	Cpl. knife assy 21 sect. 2" with w.p. -3holes		1
	24137	RM09-046	Cpl. knife assy 16 sect. 3" without w.p. -2 holes		1
	24139	RM09-047	Cpl. knife assy 18 sect. 3" without w.p. - 2 holes		1
	24144	RM09-015	Cpl. knife assy 23 sect. 2" with w.p. - 3 holes		1
	24502	RM09-023	Cpl. knife assy 17 sect. 2" without w.p. - 2 holes		1
	24506	RM09-013	Cpl. knife assy 19 sect. 2" without w.p. - 2 holes		1
	24795	RM09-018	Cpl. knife assy 12 sect. 3" without w.p. - 3 holes		1
	24798	RM09-020	Cpl. knife assy 14 sect. 3" without w.p. - 3 holes		1



Pos.	Orig. Ref.	RIMA Ref.	Description	Application	Pack.
07	24799	RM09-021	Cpl. knife assy 16 sect. 3 " without w.p. - 3 hole		1
	24803	RM09-041	Cpl. knife assy 12 sect. 3" with w.p. - 3 holes		1
	24805	RM09-019	Cpl. knife assy 14 sect. 3" with w.p. - 3 holes		1
	24810	RM09-042	Cpl. Knife assy 16 sect. 3" with w.p. -3 holes		1
	24811	RM09-022	Cpl. knife assy 18 sect. 3 " without w.p. - 3 hole		1
	24811/1	RM09-043	Cpl. knife assy 18 sect. 3" with w.p. - 3 holes		1
	24813	RM09-038	Cpl. knife assy 21 sect. 2" without w.p. - 2 holes		1
	24819	RM09-039	Cpl. knife assy 23 sect. 2 " without w.p. - 2 hole		1
	24820	RM09-040	Cpl. knife assy 25 sect. 2" without w.p. - 2 holes		1
	24861	RM09-017	Cpl. knife assy 27 sect. 2" with w.p. - 3 holes		1
	24861/B	RM09-057	Cpl. knife assy 27 sect. 2" - 2 holes		1
	RM09-053	RM09-053	Cpl. knife assy 20 sect. 3" without w.p. 3 holes		1
	RM09-056		Cpl. knife assy 29 sect. 2" - 3 holes		1
	RM09-059	RM09-059	Cpl. knife assy 29 sect. 2" - 2 holes		1
	RM09-062		Cpl. knife assy 21 sect. 2" - 2 holes		1
	RM09-070		Cpl. knife assy 21 sect. 2" - 3 holes		1
	RM09-071		Cpl. knife assy 19 sect. 2" - 2 holes		1
Various Spare Parts					
	1395	RM09-004	Wearing plate 3"	26216	1
	26163	RM09-003	Wearing plate 2"	1946	1
	26590	RM09-049	Reinforcement for knife assy 2"		1
	26593	RM09-052	Pivot		1
	26610	RM09-050	Reinforcement for knife assy 3"		1
	58046677	RM09-006	Right slide	20125	1
	58046677	RM09-007	Left slide	20126	1



Pos.	Orig. Ref.	RIMA Ref.	Description	Application	Pack.
Cutterbar					
01	3440090	RM35-002	Simple knife section RIMA		25
	3440091	RM35-002a	Simple knife section ORIGINAL		25
	3441220	RM35-003	Double knife section RIMA		25
	3441221	RM35-003a	Double knife section ORIGINAL	3441221	25
	3441230	RM35-004	Double central knife section		25
	3441231	RM35-004a	Double knife section ORIGINAL		25
02	3210040	RM35-013	Simple finger	3210041	1
	3210080	RM35-040	Simple finger		1
	3211010	RM35-041	Double finger		1
	3211041	RM35-014	Double finger	2790010	1
	3212040	RM35-026	Simple right finger		1
	3212050	RM35-025	Simple left finger		1
03	3322050	RM35-017	Knife clip		1
05	3520810	RM35-006	Knife back 0, 86		1
	3520830	RM35-007	Knife back 0,96		1
	3520860	RM35-008	Knife back 1,17		1
	3520880	RM35-009	Knife back 1, 37		1
07	2481050	RM35-021	Complete knife assy 1,17		1
	2481060	RM35-022	Complete knife assy 1,37		1
	2481350	RM35-023	Complete knife assy 0,86		1
	2481360	RM35-024	Complete knife assy 0,96		1
	24900140	RM35-042	Cpl. knife assy "Tielbürgerl/Honda 0,97		1
	24900150	RM35-043	Cpl. knife assy "Tielbürgerl/Honda 1,07		1
	24900160	RM35-044	Cpl. knife assy "Tielbürgerl/Honda 1,17		1
Various Spare Parts					
	3310470	RM35-028	Left nylon table		1
	3310480	RM35-029	Right nylon table		1
	3320040	RM35-005	Wearing plate		1
	3320640	RM35-039	Plug		1
	3320670	RM35-010	Plug		1
	3410080	RM35-030	Slide		1
	3410120	RM35-034	Slide		1
	3410860	RM35-033	Support		1



FORT



Pos.	Orig. Ref.	RIMA Ref.	Description	Application	Pack.
Cutterbar					
01	2466	RM14-007	Knife section serrated		25
	D2001R	RM14-006	Knife section serrated	85315R	25
	GB.953	RM14-004	Knife section with heel		1
02	20207	RM14-018	Double finger "Mulching"		1
	20207/1	RM14-018/1	Double finger "Mulching"		1
	27624/1	RM14-017	Double finger	58SF	1
03	2823	RM14-015	Simple knife clip		1
	2828	RM14-016	Knife clip		1
	43559	RM14-002	Knife clip for "Mulching"		1
	G318A	RM14-003	Knife clip		1
05	RM14-010	RM14-010	Knife back 16 sections		5
	RM14-011	RM14-011	Knife back 17 sections		5
06	20703	RM14-014	Wearing strip 17 sect.2466	43555	1
07	12310504		Cpl. knife assy 15 sections serrated		1
	RM14-021	RM14-021	Cpl. knife assy 16 sections serrated		1
	RM14-022	RM14-022	Cpl. knife assy 17 sections serrated		1
	RM14-023	RM14-023	Cpl. knife assy 13 sect. with 8 w.p.		1
	RM14-024	RM14-024	Cpl. knife assy 17 sect. with 10 w.p.		1
	RM14-025	RM14-025	Cpl. knife assy 23 sections serrated		1
	RM14-026	RM14-026	Cpl. knife assy 21 sections serrated		1
	RM14-027	RM14-027	Cpl. knife assy 25 sections serrated with P.P.		1
Various Spare Parts					
	26179	RM14-001	Screw 8 x 25		1
	588046677	RM14-020	Slide		1



Pos.	Orig. Ref.	RIMA Ref.	Description	Application	Pack.
Cutterbar					
01	2466	RM18-10642	Knife section under serrated		25
	59015	RM18-20088	Knife section under serrated		25
	59015	RM18-21101	Knife section under serrated		25
	D2001R	RM18-10789	Knife section under serrated		25
	D2002R	RM18-025	Knife section under serrated		25
02	20207	RM18-10617	Double finger "Mulching"		1
	20207/1	RM18-10617/1	Double finger "Mulching"		1
	2355	RM18-003	Finger plate	246F	1
	2477	RM18-002	Finger plate	246SF	1
	27621	RM18-10616	Simple finger		1
	27622	RM18-10618	Double finger		1
	27622/1	RM18-10618/1	Double finger		1
	27623	RM18-10785	Simple finger		1
	27624	RM18-10619	Double finger		1
	27624/1	RM18-10619/1	Double finger		1
	50648-OR	RM18-66282	Double finger		1
	50649-OR	RM18-66281	Simple finger		1
03	20863	RM18-20863	Knife clip		1
	2824	RM18-10612	Knife clip		1
	2828	RM18-10610	Knife clip		1
	43559	RM18-10611	knife clip		1
	51400	RM18-20085	Knife clip		1
	GS1609	RM18-57399	Knife clip		1
04	43538	RM18-10582	Knife head		1
	43541	RM18-10613	Support		1
	48494	RM18-10681	Knife head		1
	48905	RM18-10968	Support	48904	1
05	20707	RM18-10627	Knife back 15 sect. 2466		5
	20708	RM18-10626	Knife back 17 sect. 2466		5
06	10636	RM18-10636	Wearing plate 11 sections		1
	20702	RM18-10621	Wearing strip 15 sect.2466	43574	1
	20703	RM18-10620	Wearing strip 17 sect.2466	43555	1
07	10986	RM18-10986	Cpl. SF bar 1,27 mts.		1
	10987	RM18-10987	Cpl. Mulcking bar 1,10 mts		1
	10988	RM18-10988	Cpl. Mulcking bar 0,80 mts		1
	10989	RM18-10989	Cpl. SF bar 0,80 mts.		1
	10993	RM18-10993	Cpl. SF bar 1,10 mts.		1
	20081	RM18-20081	Cpl "Tirol" bar 1,15 mts.		1



GRILLO



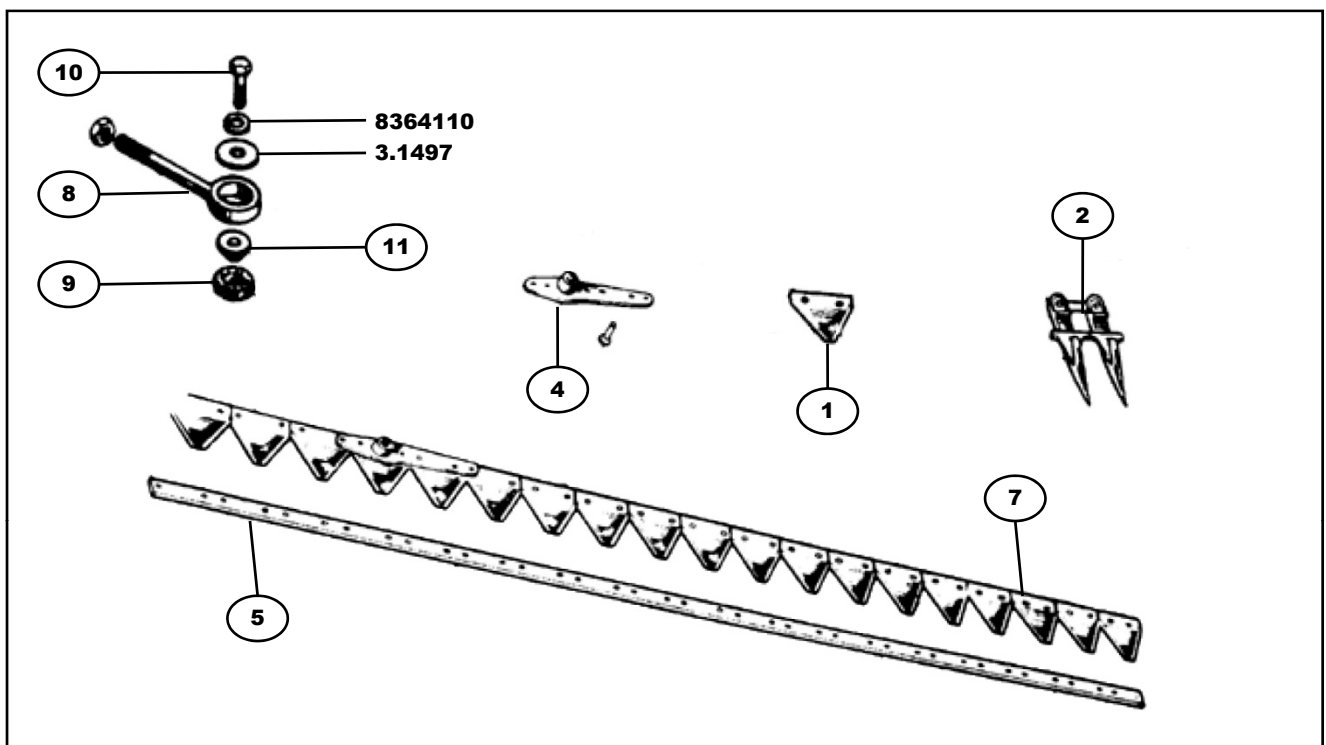
Pos.	Orig. Ref.	RIMA Ref.	Description	Application	Pack.
07	20093	RM18-20093	Cpl. "Tirol" bar 0,87 mts.		1
	38726	RM18-38726	Cpl. knife 17 sections - 2"		1
	38729	RM18-38729	Cpl. SF bar 0, 87 mts.		1
	43544	RM18-10625	Cpl. knife 15 sections - 3"		1
	43546	RM18-10633	Cpl. lateral knife 11 sections - 3"		1
	43553	RM18-10624	Cpl. knife 17 sections - 3"		1
	48909	RM18-20083	Complete knife 23 sections - 2"		1
	48943	RM18-10995	Cpl. lateral knife 16 sections - 2"		1
	48946	RM18-10997	Cpl. knife 22 sections - 2"		1
	48948	RM18-10996	Complete knife 25 sections - 2"		1
	RM18-077	RM18-077	Cpl. "Tirol" bar 1,35 mts.		1
	RM18-078	RM18-078	Cpl. "Tirol" bar 1,55 mts.		1
	RM18-079	RM18-079	Cpl. "Tirol" bar 1,75 mts.		1

Various Spare Parts

141	RM18-50522	Greaser			1
32001	RM18-50289	Bushing			1
43497	RM18-50314	Plate			1
43521	RM18-10682	Pin			1
43554	RM18-10674	Rh. shoe		59058931	1
43561	RM18-10675	Lh. shoe		59058938	1
43568	RM18-10608	Slide		10608	1
43571	RM18-50855	Screw			1
51401	RM18-072	Cleaning plate			1
51402	RM18-20086	Plate			1
58046677		Rh. slide		11533-11534	1



Pos.	Orig. Ref.	RIMA Ref.	Description	Application	Pack.
Cutterbar					
01	242S	RM22-219	Knife section serrated	443003	25
02	319425	RM22-309	Screw 3/8x25		1
	319433	RM22-310	Screw 3/8x30		1
	443007	RM22-221/1	Double finger	LS634	1
04	953	RM22-305	Knife head	3174760	1
05	3174741	RM22-320	Knife back 15 sections	LF2D	5
	3174742	RM22-321	Knife back 17 sections	LF2T	5
	3174743	RM22-322	Knife back 19 sections	LF2	5
07	3174753	RM22-326	Complete knife assy 15sect. serrated	LF167D	1
	3174755	RM22-328	Complete knife assy 17 sect. serrated	L167T	1
	3174757	RM22-330	Complete knife assy 19 sect. serrated	LF167	1
08	12177	RM22-301	Nude connectiong rod	3169600	1
09	12292	RM22-303	Rubber bearing	31715	1
10	310435	RM22-308	Screw 10x35 TE.		1
11	580962	RM22-302	Superior half-cone	31713	1
Various Spare Parts					
140		RM22-318	Silentblock 14x30x25x28		1





LVB

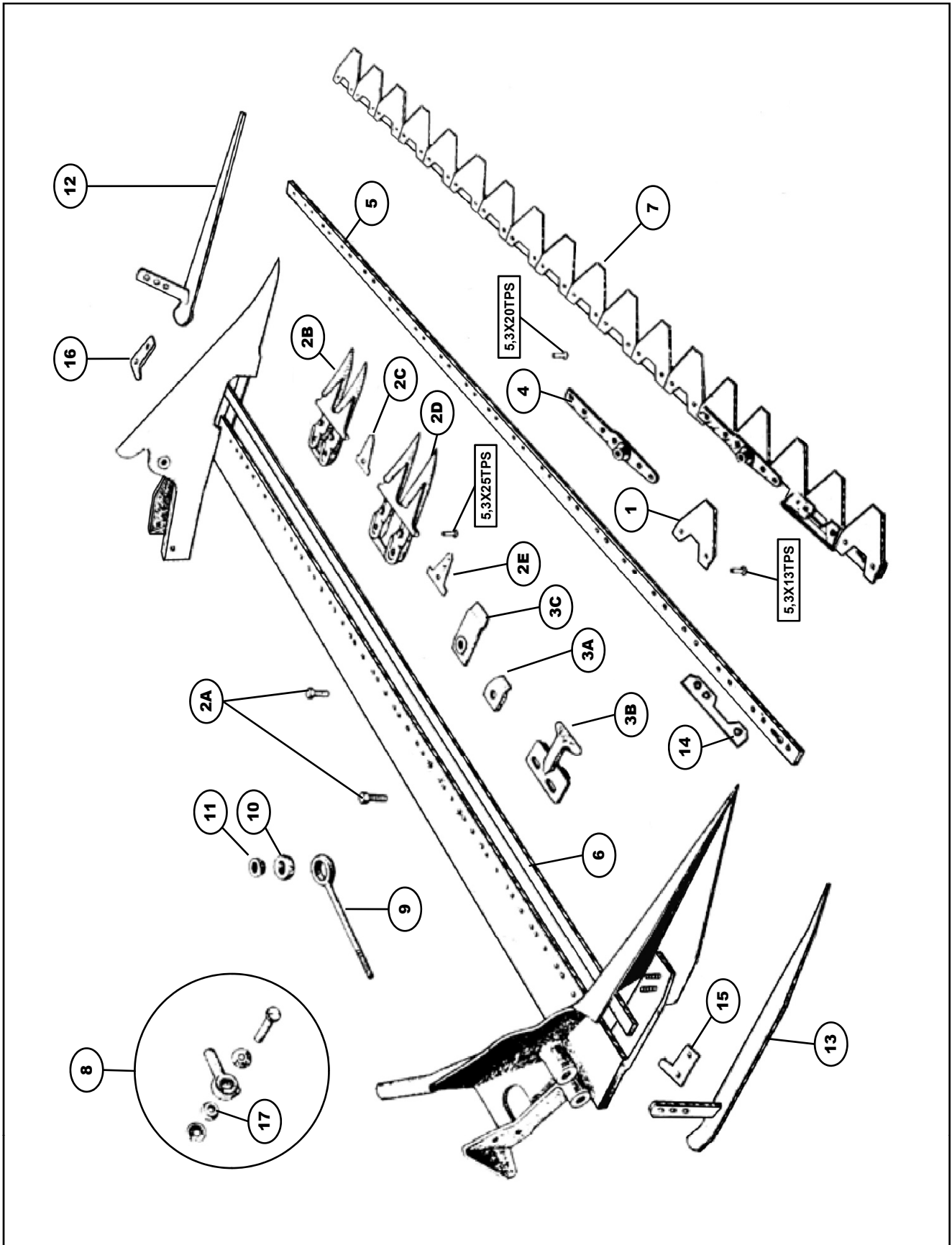


Pos.	Orig. Ref.	RIMA Ref.	Description	Application	Pack.
Cutterbar					
01	2466	RM48-001	Knife section	212SF	25
	D1140R	RM48-002	Knife section	212S	25
	D2001R	RM48-003	Knife section		25
	D2002R	RM48-004	Knife section		25
02	27624	RM48-015	Double finger	623058	1
	27624/1	RM48-015/1	Double finger	623058/1	1
	623100	RM48-014	Double finger		1
03	2828	RM48-009	Knife clip		1
	621100	RM48-010	Knife clip	LV.3080	1
	621103	RM48-011	Knife clip	LV.103	1
07	RM48-020	RM48-020	Cpl. knife 15 sections		1
	RM48-021	RM48-021	Cpl. knife IS sections		1
	RM48-022	RM48-022	Cpl. knife 17 sections		1
	RM48-023	RM48-023	Cpl. knife 17 sections		1
	RM48-024	RM48-024	Cpl. knife 23 sections		1
08	G319	RM48-008	Cleaning plate		1
Various Spare Parts					
	58046677	RM48-018	Rh. slide	624013-624014	1
	621101	RM48-007	Cleaning plate	LV.101	1
	621105	RM48-006	Cleaning plate	LV.105	1
	624009	RM48-016	Lh. slide	10512	1
	624010	RM48-017	Rh. slide	10511	1



NIBBI-FIGARO

Barra di Taglio - *Cutterbar*





Pos.	Orig. Ref.	RIMA Ref.	Description	Application	Pack.
Cutterbar					
01	2466	RM26-006	Knife section serrated	NB04249	25
02A	106	RM26-024	Screw 10x25 MA	NB04271	1
	107	RM26-025	Screw 10x30 MA	NB04270	1
02B	NB4217A	RM26-002	Double finger		1
02C	2355	RM26-014	Finger plate	NB04261/F	1
02D	NB4216A	RM26-001	Double finger		1
	NB4216A	RM26-001	Double guard		1
02E	2477	RM26-015	Finger plate	NB04261/SF	1
03	NB04252	RM26-010	Right knife clip		1
	NB04252A	RM26-011	Right knife clip		1
03A	2828	RM26-027	Knife clip	NB04409	1
03B	NB04400	RM26-020	Knife clip		1
03C	NB04523	RM26-021	Simple knife clip		1
04	NB04267	RM26-019	Knife head		1
	NB04268	RM26-023	Screw for knife head		1
05	NB4229A	RM26-030	Knife back 15 sections		5
	NB4229B	RM26-031	Knife back 18 sections		5
	NB4229C	RM26-032	Knife back 20 sections		5
06	NB04397A	RM26-033	Consumer streak 15 sections		1
	NB04397B	RM26-034	Consumer streak 18 sections		1
	NB04397C	RM26-035	Consumer streak 20 sections		1
07	NB04566B	RM26-036	Complete knife assy 15 sect. serrated		1
	NB04566C	RM26-037	Complete knife assy 18 sect. serrated		1
	NB04566D	RM26-038	Complete knife assy 20 sect. serrated		1
	RM26-044	RM26-044	Complete knife assy 17 sections		1
	RM26-045	RM26-045	Complete knife assy 17 sections		1
08	NB04233	RM26-022	Complete Knife head with pin		1
09	NB04256	RM26-013	Nude connecting rod		1
10	12292	RM26-018	Rubber bearing	NB04265	1
11	NB04266	RM26-029	Cone		1
12	NB04225	RM26-004	Left slide		1
13	NB04246	RM26-005	Right slide		1
14	NB04253	RM26-012	Cleaning plate		1



NIBBI-FIGARO



Pos.	Orig. Ref.	RIMA Ref.	Description	Application	Pack.
15	NB04261-1	RM26-016	Wearing plate R.H.		1
16	NB04261-2	RM26-017	Wearing plate L.H.		1
17	NB04251	RM26-009	Rubber bearing		1
Various Spare Parts					
	NB04196D	RM26-039	Right command gas		1
	NB04196S	RM26-040	Left command gas		1
	NB04453	RM26-028	Clutch disc with hub		1



NUSMUELLER-RASANT



Pos.	Orig. Ref.	RIMA Ref.	Description	Application	Pack.
Cutterbar					
01	580200901-OR		Knife section	3441511/GB2730	25
	580201101-OR		Knife section with pin	3441551/GB2732	10
	580205301-OR		Knife section	3440951	25
	580205491-OR		Knife section with pin	3440961	10
04	606232	RM51-012	UPPER KNIFE HEAD		1
	606233	RM51-013	LOWER KNIFE HEAD		1
	606300	RM51-014	LOWER KNIFE HEAD		1
	606301	RM51-015	UPPER KNIFE HEAD		1
07	08096/96A	RM51-007	KNIFE COUPLE 25/26 SEZ.	P71961/71971	1
	15355/593N	RM51-004	KNIFE COUPLE 18 SEZ.		1
	15356/595N	RM51-005	KNIFE COUPLE 22 SEZ.	P72271/71951	1
	15357/597N	RM51-006	KNIFE COUPLE 26 SEZ.	P72281/71971	1
	20643N	RM51-011	KNIFE COUPLE 28/33 SEZ.	P73361/73351	1
	3462N/3463N	RM51-008	KNIFE COUPLE 24 SEZ.	P73321/73331	1
	3464N/3465N	RM51-009	KNIFE COUPLE 28 SEZ.	P72861/72871	1
	3475N	RM51-010	KNIFE COUPLE 24/27 SEZ.	P73081/73071	1
	592N/593N	RM51-001	KNIFE COUPLE 17/18 SEZ.		1
	594N/595N	RM51-002	KNIFE COUPLE 21/22 SEZ.	P71941/71951	1
	596N/597N	RM51-003	KNIFE COUPLE 25/26 SEZ.	P71961/71971	1



REFORM



Pos.	Orig. Ref.	RIMA Ref.	Description	Application	Pack.
Cutterbar					
01	DIN80R	RM30-001	Serrated Knife section	222S	25
02	1104212090/1	RM30-003/1	Double finger	158229/1	1
	1104212100/1	RM30-004/1	Double finger	158250/1	1
07	110422206	RM30-009	Complete knife 19 sections	DIS. 12	1
	110422207	RM30-007	Complete knife 19 sections	DIS. 2	1
	110423204	RM30-010	Complete knife 21 sections	DIS. 3	1
	110423206	RM30-011	Complete knife 21 sections	DIS. 5	1
	110423208	RM30-012	Complete knife 21 sections	DIS. 7	1
	110423209	RM30-013	Complete knife 21 sections	DIS. 11	1
	110423210	RM30-008	Complete knife 19 sections	DIS. 4	1
	110424207	RM30-014	Complete knife 25 sections	DIS. 8	1
	110424208	RM30-015	Complete knife 25 sections	DIS. 10	1
	RM30-006	RM30-006	Complete knife 17 sections	DIS. 1	1

Various Spare Parts

15802177	RM30-016	Support			1
606344	RM30-005	Cap	1104150311		1



RONDINE RAPETTI



Pos.	Orig. Ref.	RIMA Ref.	Description	Application	Pack.
Cutterbar					
01	242S		Knife section		25
02	22160/1	RM03-037	Double finger		1
04	RM03-036	RM03-036	Knife head		1
07	RM03-035	RM03-035	Complete knife 11 sections		1
08	1395		Cleaning plate		1



RAPID



Pos.	Orig. Ref.	RIMA Ref.	Description	Application	Pack.
Cutterbar					
01	256588	RM32-040	Serrated knife section 4 holes		25
	257096		Knife section		25
	257097		Knife section		25
	D.304	RM32-001	Serrated knife section 5 holes		25
	DIN80R	RM32-048	Serrated knife section	22222	25
02	14912	RM32-034	Finger plate		1
	22160	RM32-003	Double finger	SK160	1
	22160/1	RM32-003/1	Double finger		1
	22221	RM32-039	Double "Mulch" finger		1
	22221/1	RM32-039/1	Double "Mulch" finger		1
	2477	RM32-004	Wearing plate	22086	1
	257083	RM32-051	Double finger		1
	257083/1	RM32-051/1	Double finger		1
03	14917	RM32-035	Knife clip	22117	1
	253133OP	RM32-036	Knife clip		1
	257120MP	RM32-038	Knife clip		1
04	22215	RM32-017	Knife head		1
05	RM32-012	RM32-012	Knife back 1, 30		5
	RM32-013	RM32-013	Knife back 1, 60		5
	RM32-055	RM32-055	Knife back 1, 90		5
07	243041	RM32-021	Complete knife 25 sections	DIS. 5	1
	253011	RM32-011	Complete knife 17 sections	93317	1
	253363	RM32-030	Complete knife 33 sections	DIS. 24	1
	253382	RM32-027	Complete knife 25 sections	DIS. 21	1
	253583	RM32-044	Complete knife 35 sections		1
	256587	RM32-043	Complete knife 30 sections		1
	257259			DIS. 19	1
	257354	RM32-045	Complete knife 35 sections		1
	RM32-010	RM32-010	Complete knife 13 sections	DIS. 0	1
	RM32-018	RM32-018	Complete knife 21 sections	DIS. 3	1
	RM32-019	RM32-019	Complete knife 21 sections	DIS. 20	1
	RM32-020	RM32-020	Complete knife 25 sections	DIS. 4	1
	RM32-022	RM32-022	Complete knife 25 sections	DIS. 7	1
	RM32-023	RM32-023	Complete knife 25 sections	DIS. 9	1
	RM32-024	RM32-024	Complete knife 25 sections	DIS. 6	1
	RM32-025	RM32-025	Complete knife 25 sections	DIS. 7	1
	RM32-026	RM32-026	Complete knife 25 sections	DIS. 11	1
	RM32-028	RM32-028	Complete knife 26 sections	DIS. 8	1



RAPID



Pos.	Orig. Ref.	RIMA Ref.	Description	Application	Pack.
07	RM32-029	RM32-029	Complete knife 29 sections	DIS. 23	1
	RM32-031	RM32-031	Complete knife 37 sections	DIS. 25	1
	RM32-032	RM32-032	Complete knife 41 sections	DIS. 26	1
	RM32-056	RM32-056	Complete knife 30 sections		1
	RM32-057				1
	RM32-066				1
	RM32-068				1
	RM32-069				1

Various Spare Parts

14918	RM32-006	Wearing plate	22118/C	1
22018	RM32-007	Wearing plate		1
22135/1	RM32-016	Block		1
22136	RM32-014	Cap		1
22137	RM32-015	Tablet		1
256589	RM32-042	Clearing plate		1
257110	RM32-041	Wearing plate	253017	1
26179	RM32-033	Bolt	22038/1	1
94637	RM32-046	Toothier plate		1
94639	RM32-047	Smooth plate		1
96567	RM32-049	knife assy c/w 6 plates		1
08 G319	RM32-002	Cleaning plate	22057	1



STEYR



Pos.	Orig. Ref.	RIMA Ref.	Description	Application	Pack.
Cutterbar					
01	DIN80R	RM28-001	Serrated knife head	222S	25
02	180720316	RM28-008	Wearing plate		1
	188720509	RM28-003	Double finger	BL72509	1
	188720601	RM28-22	Double finger		1
	192720070	RM28-012	Simple finger	2G21	1
04	180A7256/B	RM28-013	Knife head	606414	1
	188720004	RM28-005	Knife head		1
	188720374	RM28-006	Knife head	606408	1
	190720010	RM28-007	Knife head	606409	1
	192720212	RM28-011	Knife head	606413	1
Various Spare Parts					
	180720053	RM28-009	Connecting junction		1
	180720054	RM28-010	Connecting junction		1
	180720074	RM28-019	Complete tine	RS946/7	1
	180720098	RM28-018	Guide	RS948	1
	188720103	RM28-014	Connecting junction		1
	188720104	RM28-015	Connecting junction		1
	192780038	RM28-016	Connecting junction		1
	192780039	RM28-017	Connecting junction		1



VOGEL & NOOT

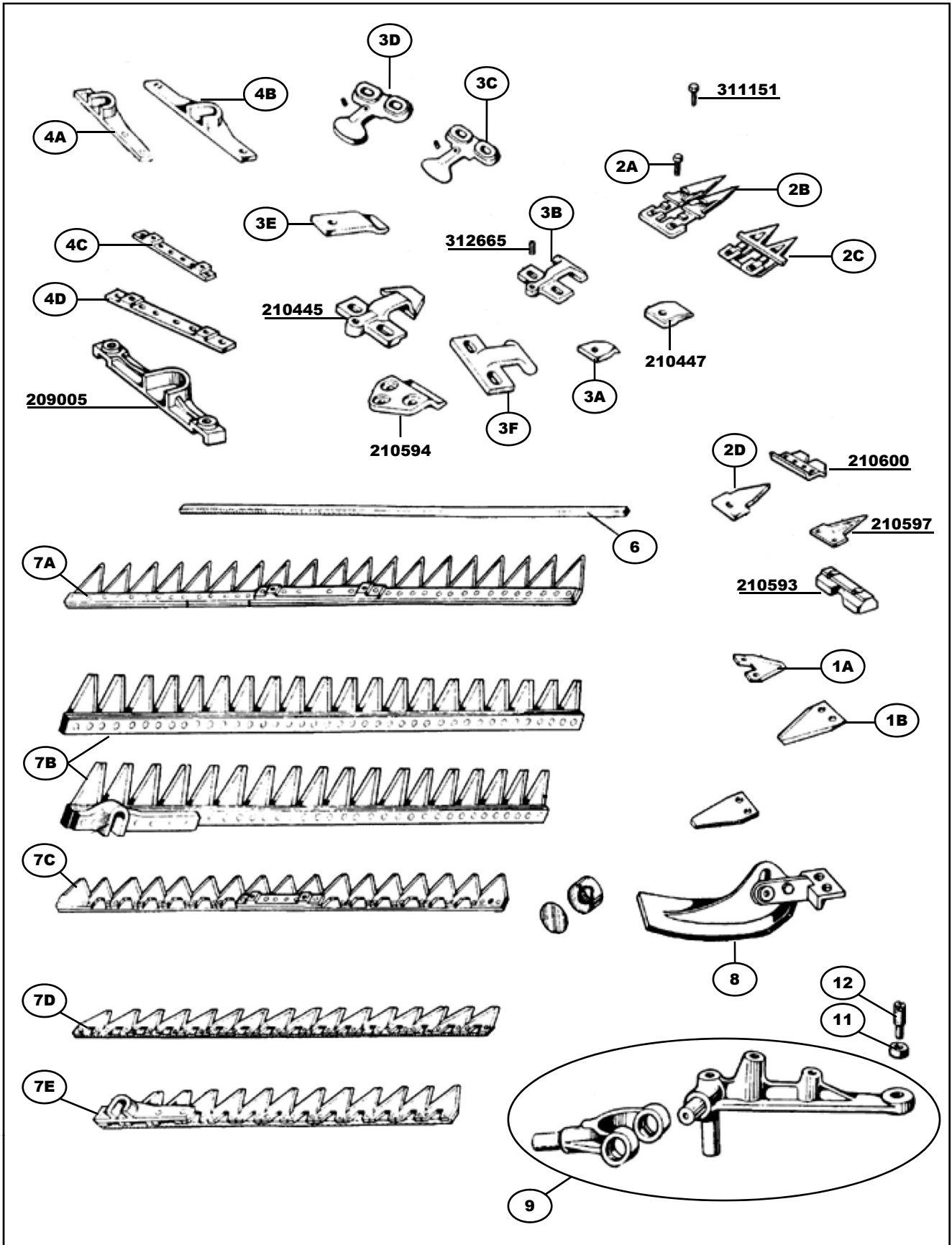


Pos.	Orig. Ref.	RIMA Ref.	Description	Application	Pack.
Cutterbar					
01	2466	RM42-029	SERRATED KNIFE SECTION		25
	D.304	RM42-028	SERRATED KNIFE SECTION		25
	DIN80R	RM42-027	SERRATED KNIFE SECTION		25
	GB543	RM42-026	SERRATED KNIFE SECTION WITH PIN		1
	RM42-030	RM42-030	SERRATED KNIFE SECTION		25
04	606232	RM42-031	UPPER KNIFE HEAD		1
	606233	RM42-032	LOWER KNIFE HEAD		1
	606500	RM42-034	UPPER KNIFE HEAD		1
	606501	RM42-039	LOWER KNIFE HEAD		1
	606518	RM42-035	UPPER KNIFE HEAD		1
	606519	RM42-036	LOWER KNIFE HEAD		1
	606528	RM42-037	UPPER KNIFE HEAD WITH SCREW		1
	606529	RM42-038	LOWER KNIFE HEAD WITH SCREW		1
07	FE102800/3300	RM42-018	KNIFE COUPLE 21/22 SECTION	P72311/72321	1
	FE10280A/330A	RM42-019	KNIFE COUPLE 21/22 SECTION WITHOUT HE		1
	FE302800/3300	RM42-014	KNIFE COUPLE 22 SECTION	P72091/72101	1
	FE30280A/330A	RM42-015	KNIFE COUPLE 22 SECTION WITHOUT HEAD		1
	FE402800/3300	RM42-016	KNIFE COUPLE 27 SECTION	P72111/72121	1
	FE40280A/330A	RM42-017	KNIFE COUPLE 27 SECTION WITHOUT HEAD		1
	FG204400	RM42-006	CPL KNIFE 19 SECTION		1
	FG204600	RM42-005	CPL KNIFE 17 SECTION		1
	FG209023	RM42-007	CPL KNIFE 17 SECTION		1
	FG209024	RM42-008	CPL KNIFE 19 SECTION		1
	FG210400	RM42-011	CPL KNIFE 18 SECTION	P71842	1
	FG211400	RM42-010	CPL KNIFE 16 SECTION	P71832	1
	FG212400	RM42-009	CPL KNIFE 14 SECTION	P71822	1
	FR023600/700	RM42-022	KNIFE COUPLE 24 SECTION HEAD WITH SCR		1
	FR02360A/70A	RM42-021	KNIFE COUPLE 24 SECTION WITHOUT HEAD	P73151/73161	1
	FR025600/25700	RM42-023	KNIFE COUPLE 29 SECTION	P72391/72401	1
	FR025600/35700	RM42-012	KNIFE COUPLE 29 SECTION	P72461/471	1
	FR02560A/2570	RM42-024	KNIFE COUPLE 29 SECTION WITHOUT HEAD		1
	FR02560A/3570	RM42-013	KNIFE COUPLE 29 SECTION WITHOUT HEAD		1
	RM42-001	RM42-001	CPL KNIFE 18 SECTION	P71842	1
	RM42-002	RM42-002	CPL KNIFE 19 SECTION		1
	RM42-003	RM42-003	CPL KNIFE 15 SECTION		1
	RM42-004	RM42-004	CPL KNIFE 21 SECTION		1
	RM42-020	RM42-020	KNIFE COUPLE 24 SECTION	P72441/72451	1
	RM42-025	RM42-025	KNIFE COUPLE 29 SECTION HEAD WITH SCR		1



VALPADANA-SEP

Barra di Taglio - *Cutterbar*





VALPADANA-SEP



Pos.	Orig. Ref.	RIMA Ref.	Description	Application	Pack.
Cutterbar					
01	3440091	RM27-012	Knife section smooth	210597	25
	59015		Knife section serrated Ø 5, 5		25
	D1140R	RM27-007	Knife section serrated	207653	25
01A	2466	RM27-004	Knife section serrated	206775	25
01B	D2001R74	RM27-005	Knife section serrated - under flared	206793	25
	D2002R74	RM27-006	Knife section serrated - under flared	207974	25
02A	106	RM27-063	Screw TE. 10MAx25	311151	1
	107	RM27-064	Screw TE. 10 MAx30	311149	1
02B	2355	RM27-003	Finger plate	205005	1
	2477	RM27-002	Finger plate	206776	1
	27622	RM27-009	Double finger	206772	1
	27622/1	RM27-009/1	Double finger		1
	27624	RM27-010	Double finger	205097	1
	27624/1	RM27-010/1	Double finger	205097/1	1
02C	20207	RM27-011	Double finger "Mulching"	209065	1
	20207/1	RM27-011/1	Double finger "Mulching"	209065/1	1
02D	3210040	RM27-013	Finger plate	210591	1
03	210446	RM27-055	Knife clip		1
03A	2828	RM27-056	Knife clip	205004	1
03B	209016/0	RM27-054	Knife clip		1
03C	206790	RM27-052	Knife clip		1
03D	206791	RM27-053	Knife clip		1
03E	12314	RM27-050	Simple knife clip	205001	1
03F	12296	RM27-051	Knife clip	205002	1
04A	203317	RM27-057	Lateral knife head		1
04B	203318	RM27-058	Central knife head	205112	1
04C	209006	RM27-060	Support		1
04D	210464	RM27-061	Support		1
05	20706	RM27-046	Knife back 13 sections		5
	20707	RM27-047	Knife back 15 sect. 2466		5
	20708	RM27-048	Knife back 17 sect. 2466		5
	2465	RM27-049	Knife back 19 sect. 2466		5
	48910	RM27-103	Knife Back 23 sect.	219313	5
	RM04-289	RM27-074	Knife back 11 sections		5
	RM27-041	RM27-041	Knife back 18 sections		5



VALPADANA-SEP



Pos.	Orig. Ref.	RIMA Ref.	Description	Application	Pack.
05	RM27-042	RM27-042	Knife back 20 sections		5
	RM27-043	RM27-043	Knife back 22 sections		5
	RM27-044	RM27-044	Knife back 24 sections		5
	RM27-045	RM27-045	Knife back 28 sections		5
06	205165	RM27-034	Consumer streak 16x6x930		1
	205911	RM27-032	Consumer streak 16x6x760		1
	205913	RM27-036	Consumer streak 16x6x1070		1
	206788	RM27-033	Consumer streak 16x6x860		1
	206789	RM27-035	Consumer streak 16x6x1000		1
	206797	RM27-037	Consumer streak 16x6x1110		1
	206798	RM27-038	Consumer streak 16x6x1210		1
	20703	RM27-039	Wearing strip 17 sect.2466	205914	1
	20709	RM27-040	Consumer streak 16x6x1415	205915	1
	07	219307	RM27-098	Cpl. knife assy 23 sections "E"	
219308		RM27-099	Cpl. knife assy 27 sections "E"		1
220048		RM27-100	Cpl. knife assy 31 sections "E"		1
220946		RM27-102	Cpl. Knife assy 31 sections type "E"		1
07A	210469	RM27-028	Cpl. knife assy 20 sect. with junction		1
	210470	RM27-029	Cpl. knife assy 22 sect. with junction		1
	210471	RM27-030	Cpl. knife assy 24 sect. with junction		1
	210472	RM27-031	Cpl. knife assy 28 sect. with junction	sezioni mont.sopra	1
07B	206610	RM27-023	Cpl. knife assy 18 sect. with head	sezioni mont.sotto	1
	206612	RM27-018	Cpl. knife assy 20 sect. without head	sezioni mont.sotto	1
	206799	RM27-019	Cpl. knife assy 22 sect. without head	sezioni mont.sopra	1
	206800	RM27-020	Cpl. knife assy 24 sect. without head	sezioni mont.sopra	1
	206801	RM27-021	Cpl. knife assy 28 sect. without head	sezioni mont.sopra	1
07C	209021	RM27-024	Cpl. knife assy 13 sect. with junction		1
	209022	RM27-025	Cpl. knife assy 15 sect. with junction		1
	209023	RM27-026	Cpl. knife assy 17 sect. with junction	17BC/3"	1
	209024	RM27-027	Cpl. knife assy 19 sect. with junction	19BC/3"	1
07D	205164	RM27-014	Cpl. knife assy 15 sect. without head		1
	206601	RM27-015	Cpl. knife assy 13 sect. without head		1
	206602	RM27-016	Cpl. knife assy 17 sect. without head		1
	206603	RM27-017	Cpl. knife assy 19 sect. without head	19BC/3"	1
	210720	RM27-090	Complete knife 13 sections	sezioni mont.sopra	1
	210721	RM27-091	Complete knife 15 sections	sezioni mont.sopra	1
	210855	RM27-092	Complete knife 17 sections	sezioni mont.sopra	1
	212057	RM27-093	Complete knife 11 sections	sezioni mont.sopra	1
	212060	RM27-094	Complete knife 17 sections	sezioni mont.sopra	1



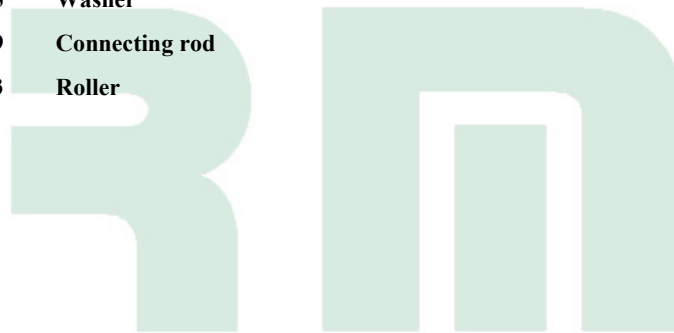
VALPADANA-SEP



Pos.	Orig. Ref.	RIMA Ref.	Description	Application	Pack.
07D	212932	RM27-095	Complete knife 19 sections	sezioni mont.sopra	1
	214340	RM27-096	Complete knife 16 sections	sezioni mont.sopra	1
	214343	RM27-097	Complete knife 16 sections	sezioni mont.sopra	1
07E	205133	RM27-022	Cpl. knife assy 11 sect. with head		1
08	58046677	RM27-062	Slide	205239	1
09	005506	RM27-068	Balance	005505	1
10	203219	RM27-066	Connecting rod		1
11	203305	RM27-070	Roller		1
12	205471	RM27-072	Pivot		1

Various Spare Parts

	200179	RM27-001	Wearing plate	2449	1
	205086	RM27-071	Bushing		1
	206771	RM27-075	Washer		1
	207317	RM27-069	Connecting rod		1
	209003	RM27-073	Roller		1





Pos.	Orig. Ref.	RIMA Ref.	Description	Application	Pack.
	5,3X12TT		Roundhead rivet		1
	5,3X13TT		Roundhead rivet		1
	5,3X14TT		Roundhead rivet		1
	5,3X16TT		Roundhead rivet		1
	5,3X20TT		Roundhead rivet		1
	5,3X25TT		Roundhead rivet		1
	5,3X27TT		Roundhead rivet		1
	6,0X13TT		Roundhead rivet		1
	6,0X14TT		Roundhead rivet		1
	6,0X15TT		Roundhead rivet		1
	6,0X16TT		Roundhead rivet		1
	6,0X18TT		Roundhead rivet		1
	6,0X20TT		Roundhead rivet		1
	6,0X22TT		Roundhead rivet		1
	6,0X25TT		Roundhead rivet		1
	5,3X13TPS		Countersunkhead rivet		1
	5,3X14TPS		Countersunkhead rivet		1
	5,3X15TPS		Countersunkhead rivet		1
	5,3X16TPS		Countersunkhead rivet		1
	5,3X18TPS		Countersunkhead rivet		1
	5,3X20TPS		Countersunkhead rivet		1
	5,3X22TPS		Countersunkhead rivet		1
	5,3X25TPS		Countersunkhead rivet		1
	5,3X26TPS		Countersunkhead rivet		1
	5,3X28TPS		Countersunkhead rivet		1
	5,3X30TPS		Countersunkhead rivet		1
	5,3X32TPS		Countersunkhead rivet		1
	6,0X14TPS		Countersunkhead rivet		1
	6,0X15TPS		Countersunkhead rivet		1
	6,0X18TPS		Countersunkhead rivet		1
	6,0X20TPS		Countersunkhead rivet		1
	6,0X22TPS		Countersunkhead rivet		1
	6,0X25TPS		Countersunkhead rivet		1
	6,0X28TPS		Countersunkhead rivet		1
	6,0X30TPS		Countersunkhead rivet		1
	6,0X32TPS		Countersunkhead rivet		1
	6,0X35TPS		Countersunkhead rivet		1